

## Electric Condensate Pumps

Model	W4100	W4200	W4300
Connections	NPT	NPT	NPT
Tank Material	Carbon Steel	Cast Iron	Stainless Steel
Max Disch. Press.	50 PSIG	50 PSIG	50 PSIG
TMO/TMA	190°F	190°F	190°F
Options	Mechanical & electrical alternators; gauge glass; thermometer; discharge pressure gauges; isolation valves; magnetic starters; 1750 RPM motors; control panels; oversized or stainless steel receivers; high temperature components		

**Note:** For condensate temperatures exceeding 190°F, high temperature pump options are available. Consult Factory.



### Typical Applications

Used for general condensate return or for boiler feed applications. Available in Simplex or Duplex configurations with several different receiver sizes available.

### How It Works

#### For Condensate Return Applications:

The float, which is connected to the switch assembly, rises when condensate enters the receiver tank. When the float rises above its set point, it energizes the motor on the pump. Once started, the pump will continue to run until the water level drops below the bottom position of the float switch. There it will de-energize the motor to shut off the pump. This cycle repeats as condensate begins to fill the receiver tank. On duplex systems the float switch is replaced with a Mechanical Alternator-Switch connected to a float. The Mechanical Alternator cycles use between the two pumps, allowing only one pump to run at a time under normal conditions. If the condensate reaches a high water level, both pumps will be activated.

#### For Boiler Feed Applications:

For Boiler Feed units, the operation of the pump is controlled by the water level control device which is part of the boiler control package. When the boiler requires water, the pump switches on pumping water from the receiver into the boiler. On Duplex boiler feed units, an Electrical Alternator is used to activate one pump at a time in alternating fashion. The receiver tank also contains an internal make-up water valve actuated by a stainless steel float. This is used if the amount of condensate being returned to the receiver tank is inadequate.

### Sample Specifications

Pump(s) shall be of the centrifugal type with 2-piece closed bronze impeller, cast iron housing and stainless steel motor shaft. A flat perforated brass strainer shall be provided in the inlet of the pump.

### Installation

Place on an elevated, level and substantial foundation in a clean, dry and accessible area. Locate receiver tank inlet below lowest point of the condensate return lines.

### Features

- Fabricated steel receivers (W4100), Cast Iron (W4200), Stainless Steel (W4300)
- Simplex and duplex packages
- Bronze-fitted centrifugal pumps
- Energy-efficient 3450 RPM motors
- Automatic venting of mechanical seal
- Ceramic pump seal with carbon face
- Heavy-duty float switch
- All steel and iron receivers over 24 gallons include a threaded NPT overflow port

### Options

- Mechanical and Electrical Alternators
- Gauge Glass
- Thermometers
- Discharge Pressure Gauges
- Isolation valves
- Magnetic Starters with HOA Selector Switch
- 1750 RPM Motors
- Larger pumping capacities & higher discharge pressures
- Wide variety of control panels
- Oversized Receivers (45, 60 & 95 gallons)
- Stainless Steel Receivers
- High Temperature (250°F) Components

## Electric Condensate Pumps

### How to Order an Electric Condensate Return or Boiler Feed Pump

ELECTRIC PUMPS

#### Ordering Guidelines:

- 1) Decide on appropriate Receiver tank material for the application; W4100-Series with Steel Receiver tanks, W4200-Series with Cast Iron Receiver tanks or W4300 with Stainless Steel Receiver tanks.
- 2) Based on the particular application the **model selection charts** are separated on adjoining pages into either Boiler Feed or Condensate Return units. The proper pump model/size in GPM (gallons per minute) to suit the application and recommended receiver size for a Boiler Feed application is based on boiler size measured in Boiler Horsepower. The proper pump model size in GPM and recommended receiver size for a Condensate Return application is based on the Effective Direct Radiation (EDR) in square feet of the heating surfaces throughout the facility that the pump is expected to handle.
- 3) Select a pump discharge pressure that will exceed system back pressure, friction loss in piping and pressure in the boiler (in the case of a boiler feed pump). Selecting a pump with a significantly higher discharge pressure than required can cause pump to cavitate.
- 4) Decide if a Simplex (Single pump) unit is adequate or a Duplex (two pump) unit would be more appropriate in terms of system reliability and redundancy in the event of a pump failure.
- 5) Select Motor Phase and Voltage (reference chart). For smaller units under 1<sup>1</sup>/<sub>2</sub> hp Single phase motors may be desirable because of ease of installation. For units in excess of 1<sup>1</sup>/<sub>2</sub> hp, the more efficient and robust 3-phase motors are recommended.

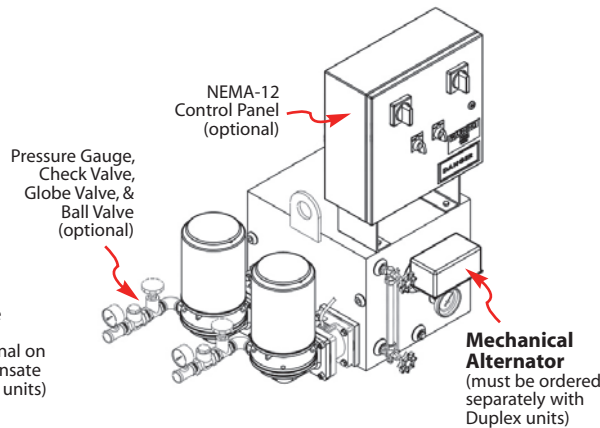
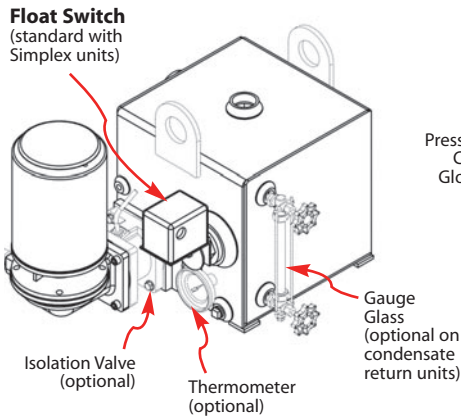
Example Model Code: **W41410JD-3P230**  
(Pump Unit)

Duplex Condensate Return Pump, 15 GPM flow rate & 40 PSI discharge pressure & 15 gallon receiver, 1hp, 230 VAC, 60Hz, 3-Phase motor.

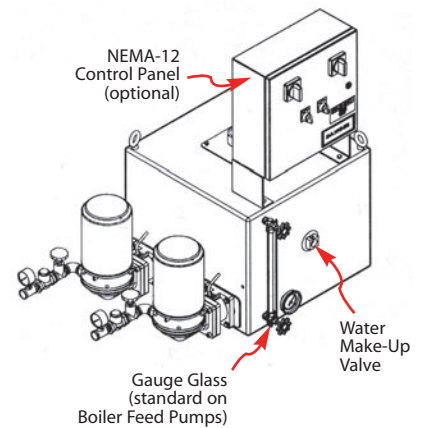
Example Model Code: **MECH-ALT-N1**  
(Mechanical Alternator)

Note: Since a Duplex pump was chosen, a Mechanical Alternator must be purchased separately to replace the standard Float Switch.

#### Condensate Return



#### Boiler Feed



#### Phase & Voltage Codes for Standard 60/50 Hz Motors

Motor Phase & Voltage	60 Hz Motor Code	50 Hz Motor Code
Single Phase	115 VAC	<b>1P115</b>
	208 VAC	<b>1P208</b>
	230 VAC	<b>1P230</b>
Three Phase	208 VAC	<b>3P208</b>
	230 VAC	<b>3P230</b>
	460 VAC	<b>3P460</b>
	575 VAC	<b>3P575</b>

#### Codes for Specialty Motors (add as a Suffix)

Option	Suffix Code
Totally Enclosed Fan Cooled (1/2 to 3 hp)	<b>TEFC</b>
Explosion Proof – 1/2, 3/4, 1 hp	<b>EP1</b>
Explosion Proof – 1 <sup>1</sup> / <sub>2</sub> & 2 hp	<b>EP2</b>
Explosion Proof – 3 hp	<b>EP3</b>

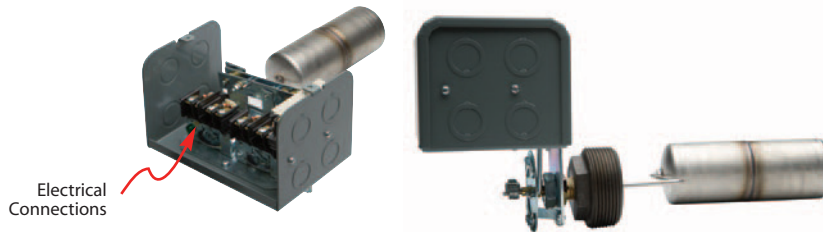
## How to Order an Electric Condensate Return or Boiler Feed Pump



ELECTRIC PUMPS

### Mechanical Alternator For Duplex Condensate Return Pump Only

Replaces the standard float switch on Duplex Condensate Return Units. Must be ordered separately.



On Duplex units, the standard float switch is replaced with a Mechanical Alternator float switch to alternate operation between the two pumps. Must be ordered separately. An Electric Alternator is also an option.

For Duplex Pumps must choose either:

A Mechanical Alternator or 2-Level Float Switch with the Electric Alternator Option on NEMA-12 Control Panel

Mechanical Alternator & Float Switches	Model Code
<b>Mechanical Alternator - NEMA 1</b> (replaces Float Switch on Duplex pumps)	<b>MECH-ALT-N1</b>
<b>Mechanical Alternator - NEMA 4</b> (replaces Float Switch on Duplex)	<b>MECH-ALT-N4</b>
<b>Mechanical Alternator - Explosion Proof</b> (replaces Float Switch on Duplex)	<b>MECH-ALT-EP</b>
<b>2-Level Float Switch</b> – (required when using an Electrical Alternator - Reference NEMA-12 Control Panel)*	<b>FLOAT-SWITCH-2L</b>
(Option) High-Level Auxiliary Contacts for Mechanical Alternator	<b>CONTACTS-HLA</b>

\* 2-level float switch not required with Duplex Boiler Feed Units

### Accessory Items

Condensate Return Pumps (ordered separately)	
For <b>SIMPLEX</b> and <b>DUPLEX</b> pumps	<b>Model Code</b>
Gauge Glass for Steel Tank	<b>GAUGE-GLASS-ST</b>
Gauge Glass for Cast Iron Tank	<b>GAUGE-GLASS-CI</b>
Isolation Valve	<b>ISO-VALVE</b>
Dial Thermometer	<b>DIAL-THERM</b>
Discharge Pressure Gauge	<b>PRESS-GAUGE-D</b>
Discharge Check Valve	<b>CHECK VALVE-D</b>
Float Switch - NEMA 4 (for Simplex Unit)	<b>FLOAT-SWITCH-N4</b>
Float Switch - Explosion Proof (for Simplex Unit)	<b>FLOAT-SWITCH-EP</b>

Boiler Feed Pumps (ordered separately)	
For <b>SIMPLEX</b> and <b>DUPLEX</b> pumps	<b>Model Code</b>
Isolation Valve	<b>ISO-VALVE</b>
Dial Thermometer	<b>DIAL-THERM</b>
Discharge Pressure Gauge	<b>PRESS-GAUGE-D</b>
Discharge Check Valve	<b>CHECK VALVE-D</b>

Gauge glass is standard on boiler feed pumps.



#### Isolation Valve

Allows pump and motor to be removed without draining condensate.

## Electric Condensate Pumps

### Motor Control Panel

ELECTRIC PUMPS

#### NEMA 12 - Control Panel (for Duplex & Simplex Pumps)

Purchasing the optional motor control panel is a convenient and simple method of hooking up your pump.

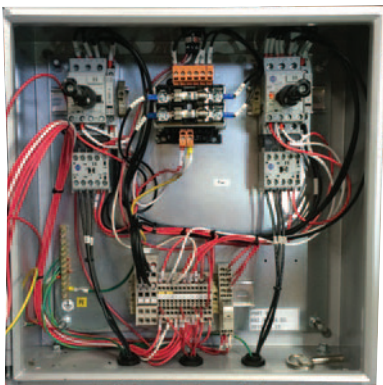


For **Simplex** units, the control panel would include a single motor starter with a single HOA (HAND-OFF-AUTOMATIC) selector switch to turn the pump on manually to verify functionality; or, to set in automatic mode along with a single Motor Circuit Protector switch to shut power off to the pump.

For **Duplex** systems, the control panel would include two motor starters with two HOA (HAND-OFF-AUTOMATIC) selector switches to turn either of the two pumps on manually to verify functionality, or to set in automatic mode along with two separate Motor Circuit Protector switches to shut power off to either of the two pumps.

An Electric Alternator option can be used to replace the standard Mechanical Alternator; this option uses electronic logic as opposed to a mechanical device to cycle operation between the two pumps. If an Electrical Alternator is chosen, the Mechanical Alternator is replaced with a 2-level float switch (suffix code **E**).

Other Options, such as Pilot Light indicating when the pump is running or High Level Alarm Horn & Light indicating a flood system condition, can be added.



#### Control Panel Model Codes

Standard CONTROL PANEL	Simplex Model Code	Duplex Model Code
1/3 thru 5 Horsepower	<b>CPN12-P1-S</b>	<b>CPN12-P1-D</b>
Over 5 Horsepower	<b>CPN12-P2-S</b>	<b>CPN12-P2-D</b>

#### Standard Control Panel Includes:

- Motor Circuit Protector(s)
- HOA Selector Switch(s)
- External Reset(s)

#### Control Panel Options

Options	Suffix Code
UL Certification	<b>UL</b>
Pilot Light (Power On) (1 required per pump)	<b>P</b>
Test Push Button (1 required per pump)	<b>T</b>
Electric Alternator (for Duplex)* (2-Level Float Switch is required with Electric Alternator)	<b>E</b>
High-Level Alarm Horn & Light with Silencing Switch	<b>HA</b>
All of the Above Options	<b>AO</b>

**Note:** Standard Voltages are: 1-phase/60 Hz/115, 208, 230 VAC and 3-phase/60Hz/208, 230, 460, 575 VAC.

For non-standard voltages; consult factory.

\* 2-Level Float Switch is required with Electric Alternator for Condensate Pumps Only; Not required for Boiler Feed Units.

#### Pilot Light

Indicates when a pump is running;  
Simplex - One light; Duplex - Two Lights.

#### Test Push Button

Used to test if pilot light is functional. Press to test.

#### Electric Alternator

Uses electronic logic to alternate operation between two pumps. This option is required for Duplex Boiler Feed systems.

For Condensate Return Systems: if an Electric Alternator is chosen instead of the Mechanical Alternator, a 2-Level Float Switch is required. (See Accessories - Electric Alternator Option. Model: **FLOAT-SWITCH-2L**)

#### High-Level Alarm

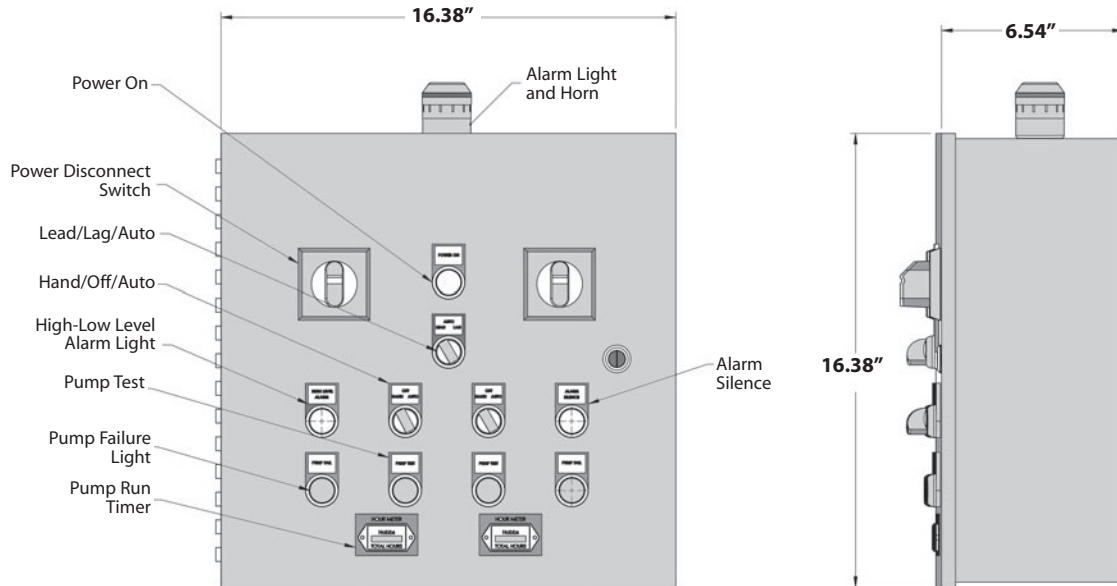
Alarm to indicate if maximum water level is exceeded.

- Example Model Codes:
- 1) CPN12-P1-S (Control Panel, NEMA 12, 1/3 thru 5 hp, Simplex, no options)
  - 2) CPN12-P1-S-UL (Control Panel, NEMA 12, 1/3 thru 5 hp, Simplex with UL Certification)
  - 3) CPN12-P2-D-E (Control Panel, NEMA 12, over 5 Hp, Duplex, with Electric Alternator)

## Electric Condensate Pumps

### Motor Control Panel

#### NEMA 12 - Control Panel (for Duplex & Simplex Pumps)



ELECTRIC PUMPS

#### NEMA 1 - Control Panel (for Simplex Pumps Only)

For Simplex units, the NEMA 1 Control Panel will include a single motor starter with a **HOA** (HAND-OFF-AUTOMATIC) selector switch to turn the pump on manually, or to set in automatic mode. A single Motor Circuit Protector switch shuts the power off to the pump when an overload (OL) condition is detected.



- Magnetic across-the-line motor starter \*
- Thermal overload and Hand-Off-Automatic (HOA) selector switch
- Optional Pilot Light

\* Allows for remote start-up with full line voltage across the motor terminals.

Phase	Power	Voltage	Model Code
Single Phase	Up to 1 HP	115 VAC	<b>MSN1-1P-1-115</b>
	Up to 2 HP	230 VAC	<b>MSN1-1P-2-230</b>
	Up to 2 HP	115 VAC	<b>MSN1-1P-2-115</b>
	Up to 3 HP	230 VAC	<b>MSN1-1P-3-230</b>
Three Phase	Up to 3 HP	230 VAC	<b>MSN1-3P-3-230</b>
	Up to 2 HP	460 VAC	<b>MSN1-3P-2-460</b>
	Up to 7.5 HP	230 VAC	<b>MSN1-3P-7-230</b>
	Up to 5 HP	460 VAC	<b>MSN1-3P-5-460</b>
Option	Pilot Light		(Suffix Code) <b>P</b>

##### Example Model Codes:

- 1) MSN1-1P-1-115 (Motor Starter, NEMA 1, single-phase, 1 HP, 115 VAC)
- 2) MSN1-3P-3-230-P (Motor Starter, NEMA 1, three-phase, 3 HP, 230 VAC with Pilot light)

### Boiler Feed Pumps **Steel** Receivers (**G & J** Series Pumps)

**G** (20 PSI Max Discharge Pressure) / **J** (up to 50 PSI Max Discharge Pressure)

ELECTRIC PUMPS

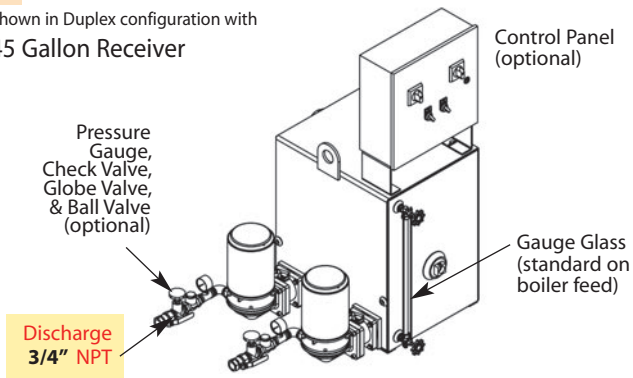
CAPACITIES									
Boiler Horsepower	Discharge Pressure (PSIG)	Flow Rate (GPM)	Motor Horsepower	Receiver Capacity (gallons)	Simplex Model #	Pump Series	Weight (lbs)	Duplex Model #	Weight (lbs)
30	20	6	1/3	30	W4124GF	G	200	W4124GDF	240
	30		1/2		W4134JF	J	260	W4134JDF	300
	40		1		W4144JF	J	265	W4144DF	310
	50		2		W4154JF	J	275	W4154JDF	330
45	20	9	1/3	45	W4126GF	G	240	W4126GDF	280
	30		1/2		W4136JF	J	300	W4136JDF	340
	40		1		W4146JF	J	305	W4146DF	350
	50		2		W4156JF	J	315	W4156JDF	370
60	20	12	1/3	60	W4128GF	G	275	W4128GDF	335
	30		1/2		W4138JF	J	335	W4138JDF	395
	40		1		W4148JF	J	340	W4148DF	405
	50		2		W4158JF	J	350	W4158JDF	425

#### Typical 4100-Series BOILER FEED Pumps (available in Simplex & Duplex with 30, 45 & 60 Gallon Receivers)

##### SIMPLEX & DUPLEX

##### **G** Series Pump

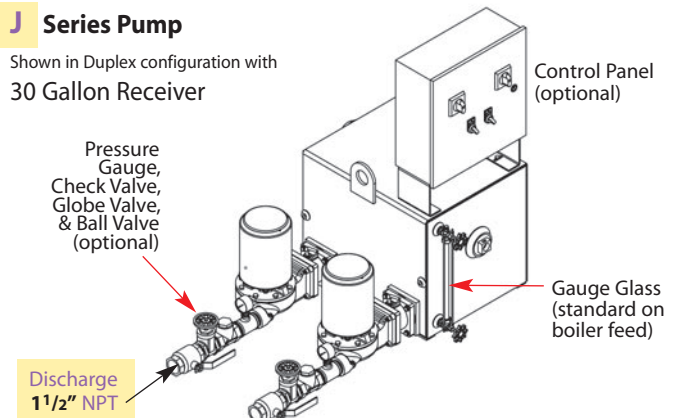
Shown in Duplex configuration with 45 Gallon Receiver



##### SIMPLEX & DUPLEX

##### **J** Series Pump

Shown in Duplex configuration with 30 Gallon Receiver

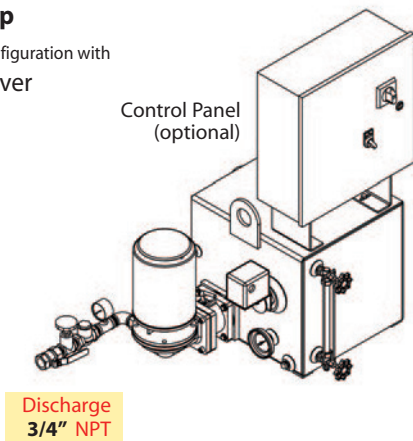


#### Typical 4100-Series CONDENSATE RETURN Pumps

##### SIMPLEX & DUPLEX

##### **G** Series Pump

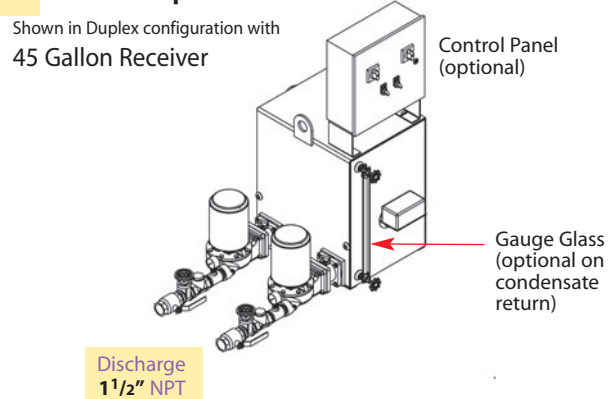
Shown in Simplex configuration with 15 Gallon Receiver



##### SIMPLEX & DUPLEX

##### **J** Series Pump

Shown in Duplex configuration with 45 Gallon Receiver



## Model Selection • Condensate Return Pumps

### Condensate Return Pumps **Steel** Receivers (**G & J** Series Pumps)

**G** (20 PSI Max Discharge Pressure) / **J** (up to 50 PSI Max Discharge Pressure)

CAPACITIES								
EDR	Discharge Pressure (PSIG)	Flow Rate (GPM)	Motor HP	Receiver Capacity (gallons)	Simplex Model #	Weight (lbs)	Duplex Model #	Weight (lbs)
8000	20	12	1/3	15	W4128G	125	W4128GD	185
15000	20	22.5	1/2	30	W41215G	190	W41215GD	240
20000	20	30	3/4	30	W41220G	200	W41220GD	250
25000	20	37.5	3/4	45	W41225J	285	W41225JD	350
30000	20	45	1	45	W41230J	285	W41230JD	350
40000	20	60	1 1/2	60	W41240J	335	W41240JD	405
50000	20	75	2	95	W41250J	385	W41250JD	460
8000	30	12	1/2	15	W4138J	180	W4138JD	250
10000	30	15	3/4	15	W41310J	185	W41310JD	250
20000	30	30	1	30	W41320J	230	W41320JD	300
25000	30	37.5	1	45	W41325J	285	W41325JD	350
30000	30	45	1 1/2	45	W41330J	290	W41330JD	355
40000	30	60	2	60	W41340J	340	W41340JD	410
50000	30	75	3	95	W41350J	395	W41350JD	470
10000	40	15	1	15	W41410J	190	W41410JD	270
20000	40	30	1 1/2	30	W41420J	240	W41420JD	310
25000	40	37.5	1 1/2	45	W41425J	290	W41425JD	355
30000	40	45	2	45	W41430J	295	W41430JD	360
40000	40	60	2	60	W41440J	240	W41440JD	410
50000	40	75	3	95	W41450J	395	W41450JD	470
10000	50	15	2	15	W41510J	195	W41510JD	275
15000	50	22.5	2	30	W41515J	245	W41515JD	320
20000	50	30	3	30	W41520J	255	W41520JD	330
30000	50	45	3	45	W41530J	305	W41530JD	385
40000	50	60	5	60	W41540S	370	W41540SD	500
50000	50	75	5	95	W41550S	430	W41550SD	500

- Notes: 1) EDR = Square Feet of Equivalent Direct Radiation  
 2) Capacity of Steam (lbs/hr) = EDR x 0.25  
 3) 2,000 EDR will produce 500 lbs/hr of condensate  
 4) 500 lbs/hr = 1 GPM

**Note:** For condensate temperatures exceeding 190°F, high temperature pump options are available. Consult Factory.

ELECTRIC PUMPS

**Boiler Feed Pumps Cast Iron Receivers (G & J Series Pumps)**

**G** (20 PSI Max Discharge Pressure) / **J** (up to 50 PSI Max Discharge Pressure)

**ELECTRIC  
PUMPS**

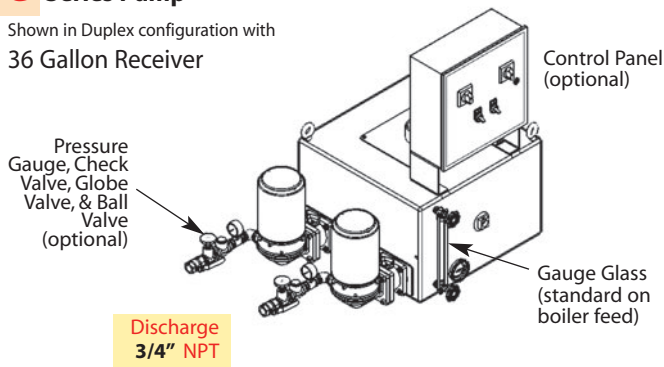
CAPACITIES								
Boiler Horsepower	Discharge Pressure (PSIG)	Flow Rate (GPM)	Motor Horsepower	Receiver Capacity (gallons)	Simplex Model #	Weight (lbs)	Duplex Model #	Weight (lbs)
30	20	6	1/3	36	W4224GF	465	W4224GDF	500
	30		1/2		W4234JF	505	W4234JDF	580
	40		1		W4244JF	510	W4244DF	590
	50		2		W4254JF	520	W4254JDF	600
60	20	12	1/3	50	W4226GF	575	W4226GDF	610
	30		1/2		W4236JF	615	W4236JDF	690
	40		1		W4246JF	620	W4246DF	700
	50		2		W4256JF	625	W4256JDF	710

**Typical 4200-Series BOILER FEED Pumps**

**SIMPLEX & DUPLEX**

**G Series Pump**

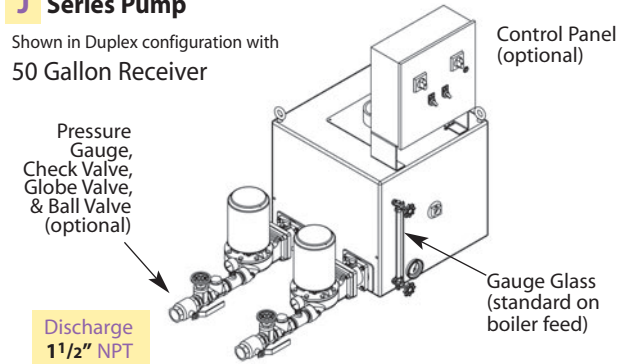
Shown in Duplex configuration with 36 Gallon Receiver



**SIMPLEX & DUPLEX**

**J Series Pump**

Shown in Duplex configuration with 50 Gallon Receiver

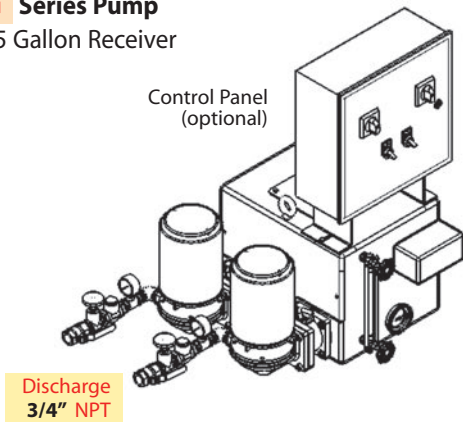


**Typical 4200-Series CONDENSATE RETURN Pumps**

**SIMPLEX & DUPLEX**

**G Series Pump**

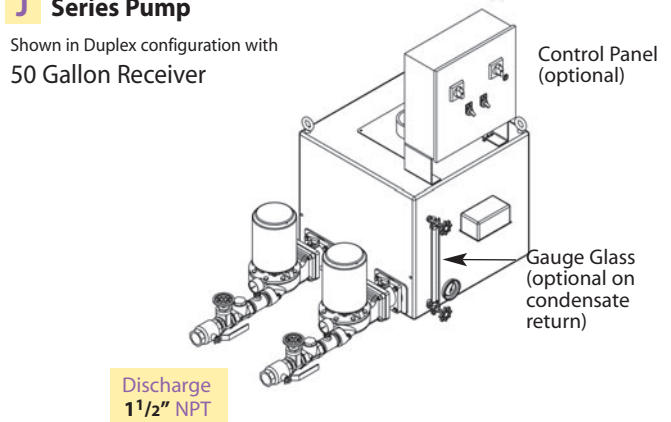
15 Gallon Receiver



**SIMPLEX & DUPLEX**

**J Series Pump**

Shown in Duplex configuration with 50 Gallon Receiver





## Model Selection • Condensate Return Pumps

### Condensate Return Pumps **Cast Iron** Receivers (**G & J** Series Pumps)

**G** (20 PSI Max Discharge Pressure) / **J** (up to 50 PSI Max Discharge Pressure)

ELECTRIC PUMPS

CAPACITIES								
EDR	Discharge Pressure (PSIG)	Flow Rate (GPM)	Motor HP	Receiver Capacity (gallons)	Simplex Model #	Weight (lbs)	Duplex Model #	Weight (lbs)
4000	20	6	1/3	6	W4224G	150	N/A	N/A
8000	20	12	1/3	15	W4228G	260	W4228GD	295
10000	20	15	1/2	15	W42210G	260	W42210GD	295
15000	20	22.5	1/2	24	W42215G	300	W42215GD	335
20000	20	30	3/4	36	W42220G	410	W42220GD	445
25000	20	37.5	3/4	36	W42225J	350	W42225JD	420
30000	20	45	1	36	W42230J	355	W42230JD	430
40000	20	60	1 1/2	50	W42240J	420	W42240JD	500
50000	20	75	2	50	W42250J	425	W42250JD	510
4000	30	6	1/2	6	W4234J	165	N/A	N/A
8000	30	12	1/2	15	W4238J	295	W4238JD	360
10000	30	15	3/4	15	W42310J	300	W42310JD	365
15000	30	22.5	1	24	W42315J	305	W42315JD	380
25000	30	37.5	1	36	W42325J	355	W42325JD	430
30000	30	45	1 1/2	36	W42330J	360	W42330JD	440
40000	30	60	2	50	W42340J	425	W42340JD	510
50000	30	75	3	50	W42350J	435	W42350JD	525
4000	40	6	1	6	W4244J	170	N/A	N/A
10000	40	15	1	15	W42410J	295	W42410JD	360
15000	40	22.5	1 1/2	24	W42415J	310	W42415JD	390
25000	40	37.5	1 1/2	36	W42425J	360	W42425JD	440
30000	40	45	2	36	W42430J	365	W42430JD	450
40000	40	60	2	50	W42440J	425	W42440JD	510
50000	40	75	3	50	W42450J	435	W42450JD	525
4000	50	6	2	6	W4254J	175	N/A	N/A
10000	50	15	2	15	W42510J	315	W42510JD	395
15000	50	22.5	2	24	W42515J	330	W42515JD	415
30000	50	45	3	36	W42530J	370	W42530JD	460
40000	50	60	5	50	W42540S	445	W42540SD	535
50000	50	75	5	50	W42550S	445	W42550SD	535

- Notes:
- 1) EDR = Square Feet of Equivalent Direct Radiation
  - 2) Capacity of Steam (lbs/hr) = EDR x 0.25
  - 3) 2,000 EDR will produce 500 lbs/hr of condensate
  - 4) 500 lbs/hr = 1 GPM

**Note: For condensate temperatures exceeding 190°F, high temperature pump options are available. Consult Factory.**

**Boiler Feed Pumps Stainless Steel Receivers (G & J Series Pumps)**

**G** (20 PSI Max Discharge Pressure) / **J** (up to 50 PSI Max Discharge Pressure)

**ELECTRIC PUMPS**

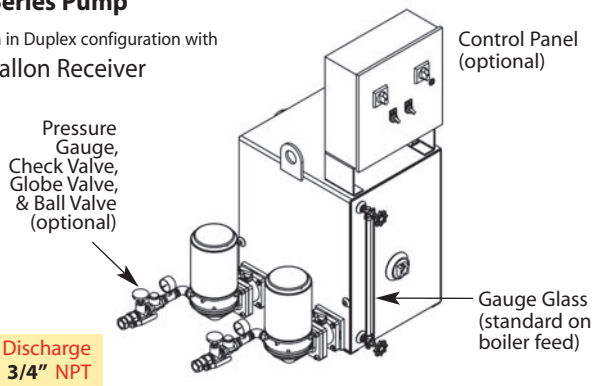
CAPACITIES								
Boiler Horsepower	Discharge Pressure (PSIG)	Flow Rate (GPM)	Motor Horsepower	Receiver Capacity (gallons)	Simplex Model #	Weight (lbs)	Duplex Model #	Weight (lbs)
30	20	6	1/3	30	W4322GF	200	W4322GDF	240
	30		1/2		W4332JF	260	W4332JDF	300
	40		1		W4342JF	265	W4342DF	310
	50		2		W4352JF	275	W4352JDF	330
45	20	9	1/3	45	W4324GF	200	W4324GDF	240
	30		1/2		W4334JF	260	W4334JDF	300
	40		1		W4344JF	265	W4344DF	310
	50		2		W4354JF	275	W4354JDF	330
60	20	12	1/3	60	W4326GF	240	W4326GDF	280
	30		1/2		W4336JF	300	W4336JDF	340
	40		1		W4346JF	305	W4346DF	350
	50		2		W4356JF	315	W4356JDF	370

**Typical 4300-Series BOILER FEED Pumps**

**SIMPLEX & DUPLEX**

**G Series Pump**

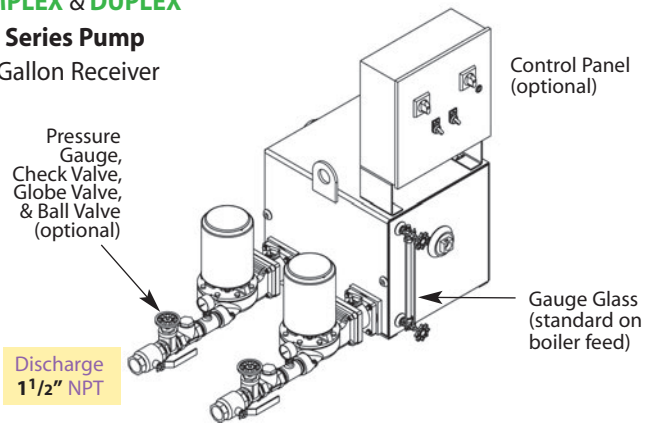
Shown in Duplex configuration with 45 Gallon Receiver



**SIMPLEX & DUPLEX**

**J Series Pump**

30 Gallon Receiver

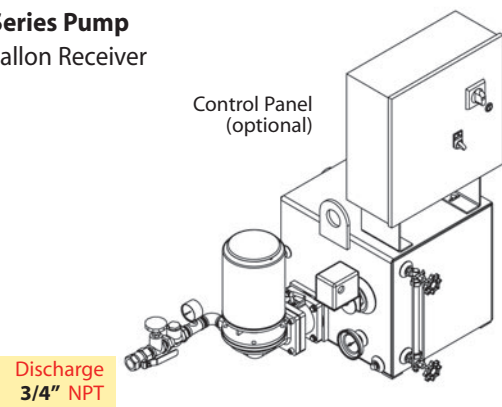


**Typical 4300-Series CONDENSATE RETURN Pumps**

**SIMPLEX & DUPLEX**

**G Series Pump**

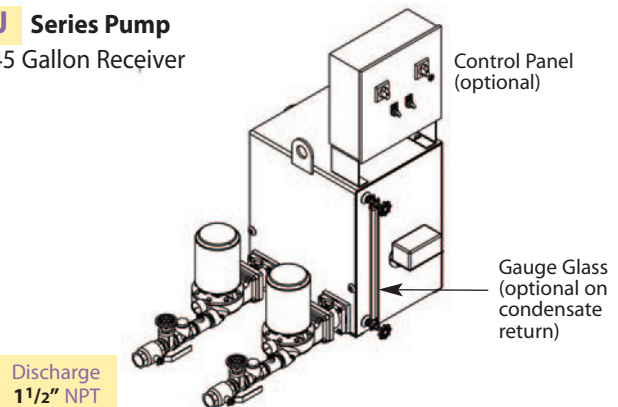
15 Gallon Receiver



**SIMPLEX & DUPLEX**

**J Series Pump**

45 Gallon Receiver



## Model Selection • Condensate Return Pumps

### Condensate Return Pumps **Stainless Steel** Receivers (**G & J** Series Pumps)

**G** (20 PSI Max Discharge Pressure) / **J** (up to 50 PSI Max Discharge Pressure)

CAPACITIES								
EDR	Discharge Pressure (PSIG)	Flow Rate (GPM)	Motor HP	Receiver Capacity (gallons)	Simplex Model #	Weight (lbs)	Duplex Model #	Weight (lbs)
8000	20	12	1/3	15	W4328G	125	W4328GD	185
15000	20	22.5	1/2	30	W43215G	190	W43215GD	240
20000	20	30	3/4	30	W43220G	200	W43220GD	250
25000	20	37.5	3/4	45	W43225J	285	W43225JD	350
30000	20	45	1	45	W43230J	285	W43230JD	350
40000	20	60	1 1/2	60	W43240J	335	W43240JD	405
50000	20	75	2	95	W43250J	385	W43250JD	460
8000	30	12	1/2	15	W4338J	180	W4338JD	250
10000	30	15	3/4	15	W43310J	185	W4310JD	250
20000	30	30	1	30	W43320J	230	W43320JD	300
25000	30	37.5	1	45	W43325J	285	W43325JD	350
30000	30	45	1 1/2	45	W43330J	290	W43330JD	355
40000	30	60	2	60	W43340J	340	W43340JD	410
50000	30	75	3	95	W43350J	395	W43350JD	470
10000	40	15	1	15	W43410J	190	W43410JD	270
20000	40	30	1 1/2	30	W43420J	240	W43420JD	310
25000	40	37.5	1 1/2	45	W43425J	290	W43425JD	355
30000	40	45	2	45	W43430J	295	W43430JD	360
40000	40	60	2	60	W43440J	240	W43440JD	410
50000	40	75	3	95	W43450J	395	W43450JD	470
8000	50	12	2	15	W4358J	195	W4358JD	275
10000	50	15	2	15	W43510J	195	W43510JD	275
15000	50	22.5	2	30	W43515J	245	W43515JD	320
20000	50	30	3	30	W43520J	255	W43520JD	330
30000	50	45	3	45	W43530J	305	W43530JD	385
40000	50	60	5	60	W43540S	370	W43540SD	500
50000	50	75	5	95	W43550S	430	W43550SD	500

- Notes: 1) EDR = Square Feet of Equivalent Direct Radiation  
 2) Capacity of Steam (lbs/hr) = EDR x 0.25  
 3) 2,000 EDR will produce 500 lbs/hr of condensate  
 4) 500 lbs/hr = 1 GPM

**Note: For condensate temperatures exceeding 190°F, high temperature pump options are available. Consult Factory.**

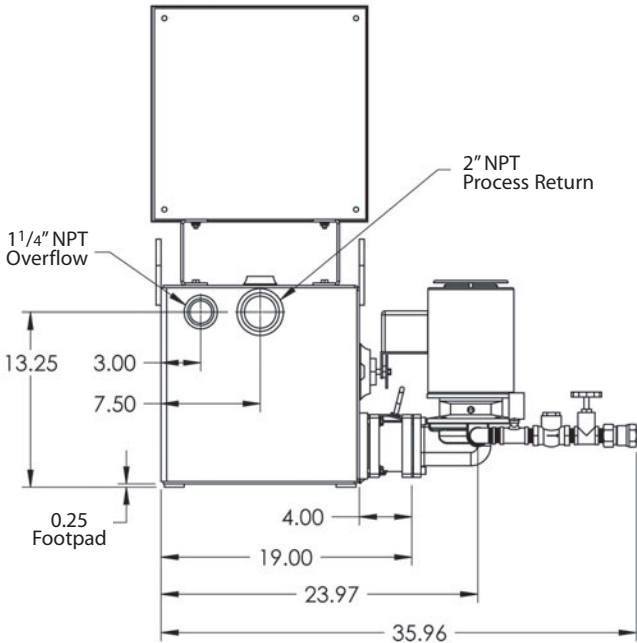
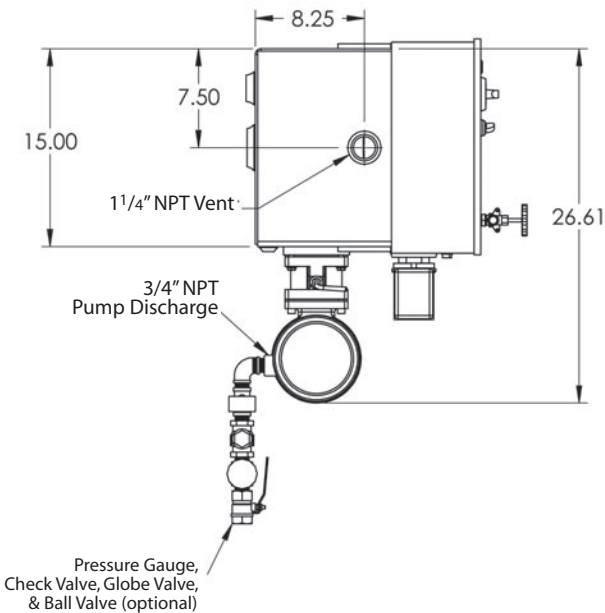
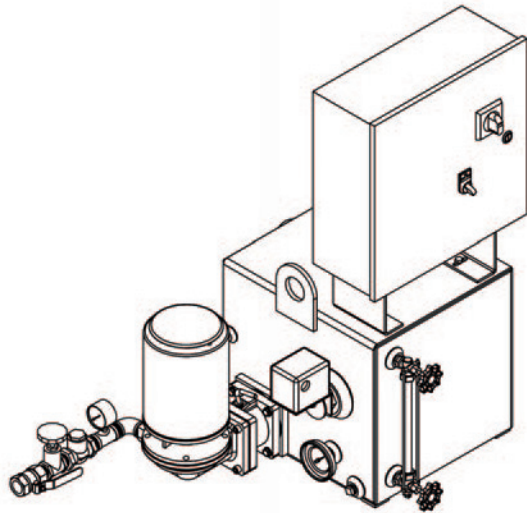
# W4100 & W4300

Electric Pump

## Condensate Return Pumps

ELECTRIC PUMPS

- G** **SIMPLEX** • 15 Gallon Receiver
- 4100** • Steel Receiver
- 4300** • Stainless Steel Receiver

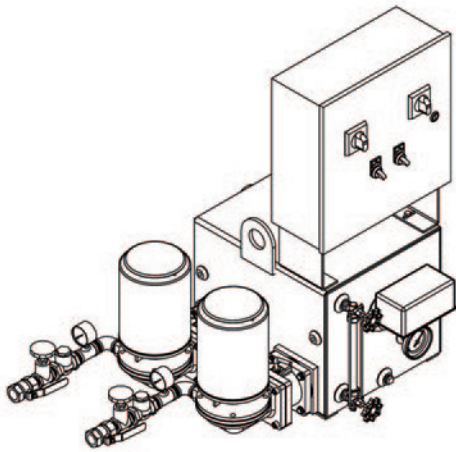


# Condensate Return Pumps

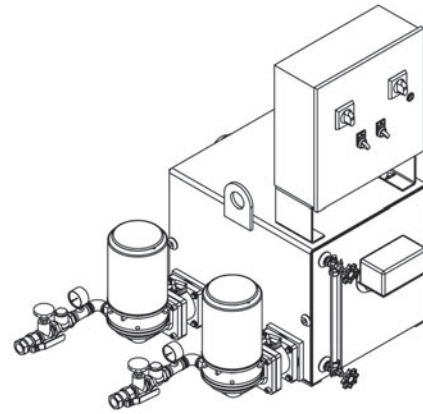
# W4100 & W4300

Electric Pump

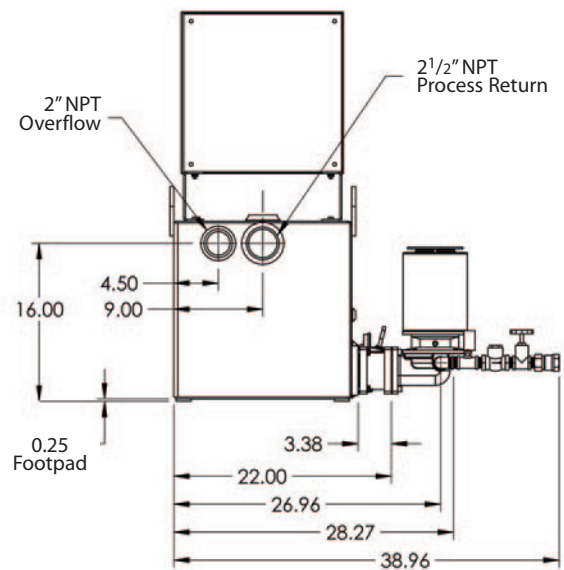
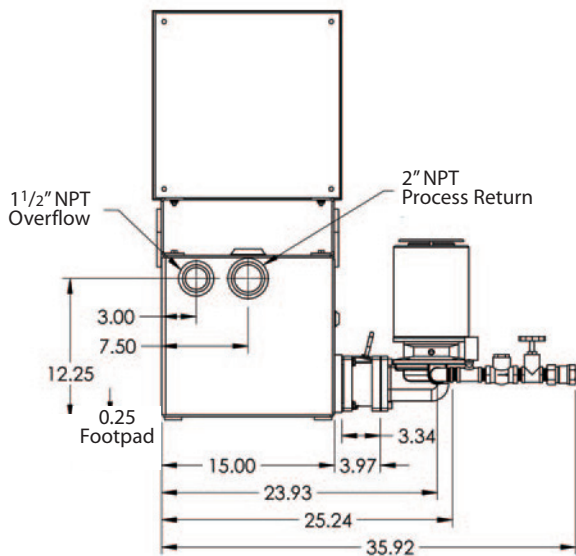
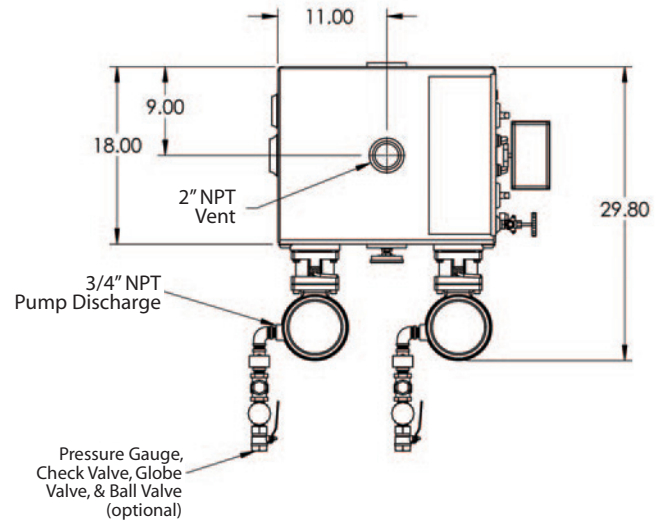
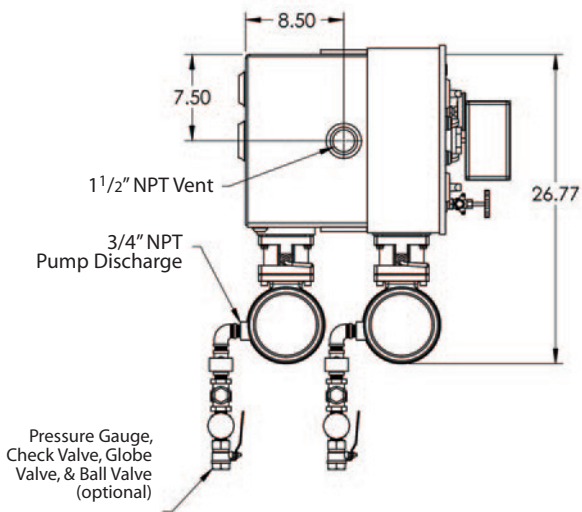
**G** DUPLEX • 15 Gallon Receiver  
**4100** • Steel Receiver  
**4300** • Stainless Steel Receiver



**G** DUPLEX • 30 Gallon Receiver  
**4100** • Steel Receiver  
**4300** • Stainless Steel Receiver



ELECTRIC  
PUMPS



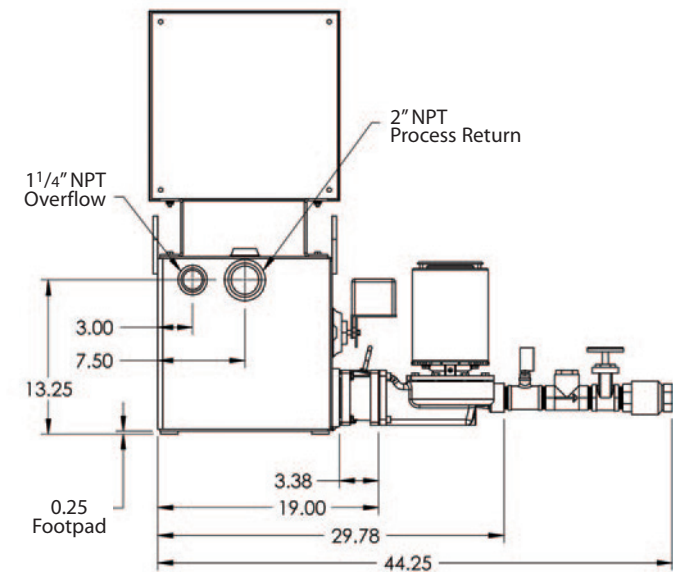
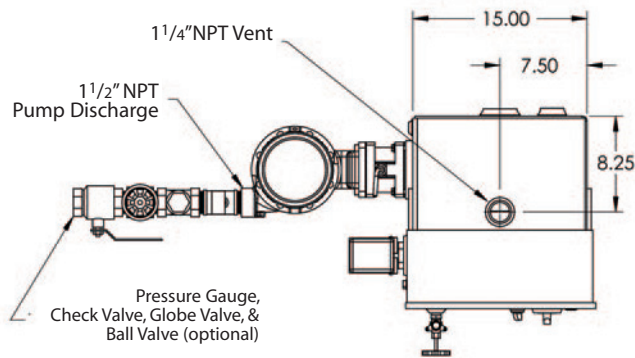
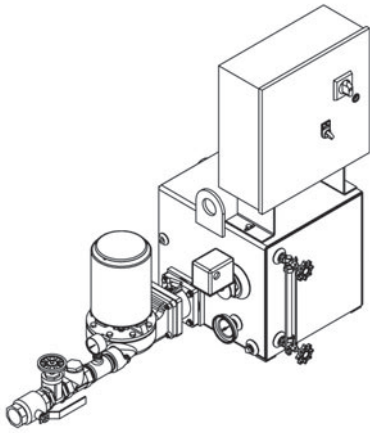
# Condensate Return Pumps

# W4100 & W4300

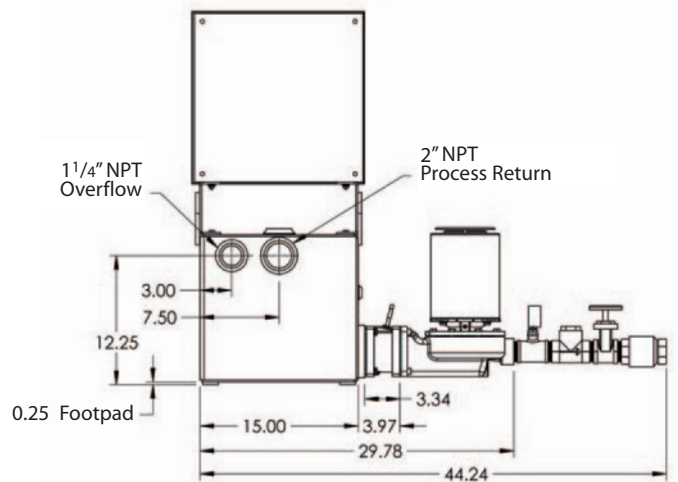
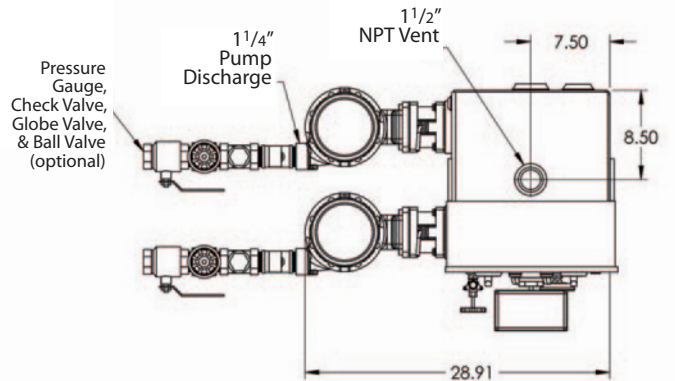
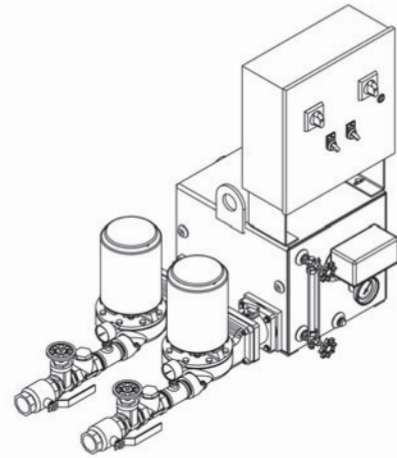
Electric Pump

ELECTRIC PUMPS

- J** **SIMPLEX** • 15 Gallon Receiver
- 4100** • Steel Receiver
- 4300** • Stainless Steel Receiver



- J** **DUPLEX** • 15 Gallon Receiver
- 4100** • Steel Receiver
- 4300** • Stainless Steel Receiver



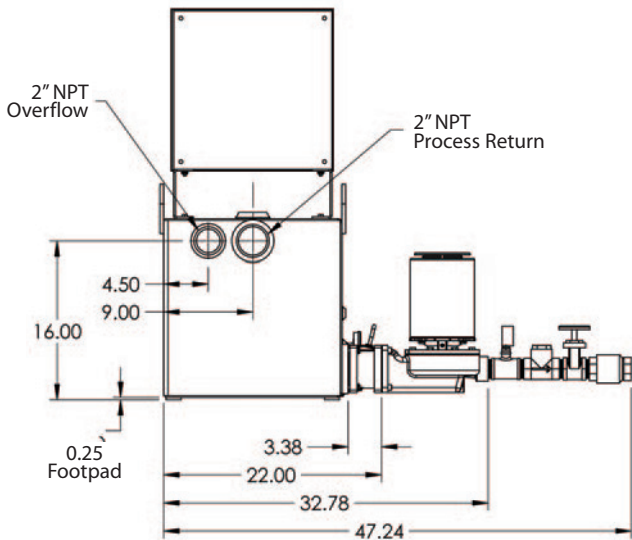
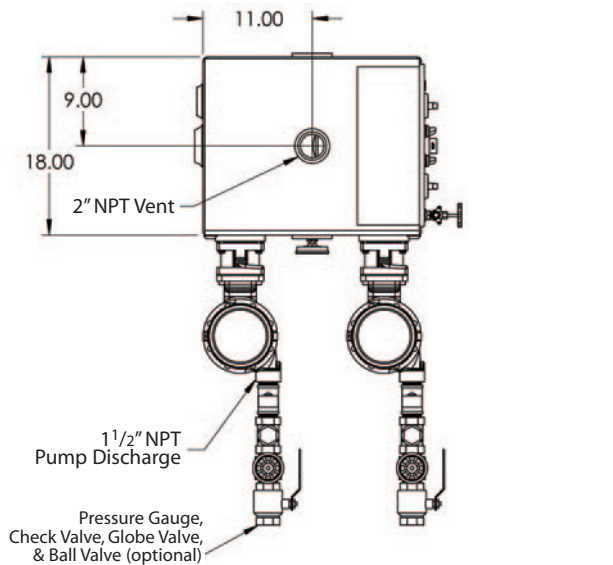
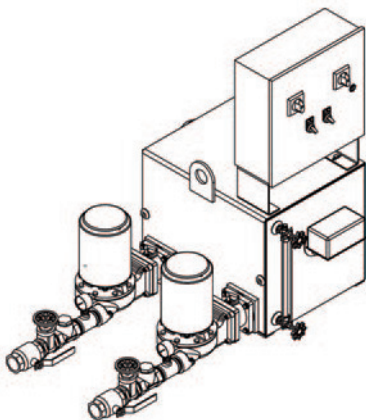
# W4100 & W4300

Electric Pump

## Condensate Return Pumps

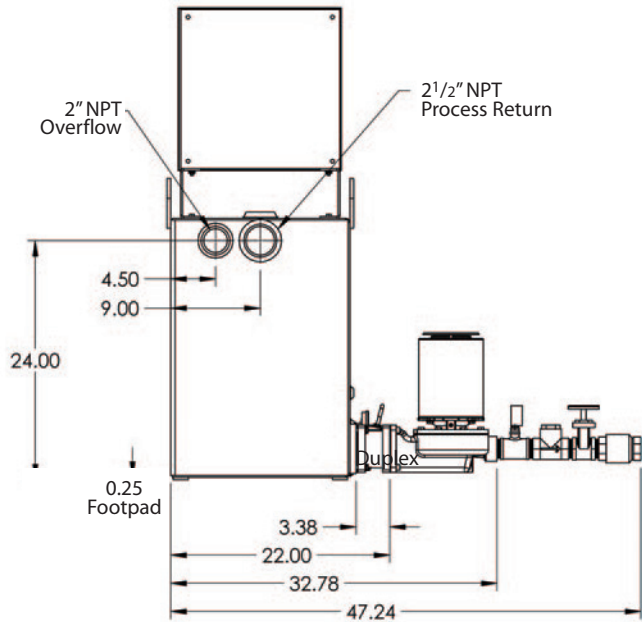
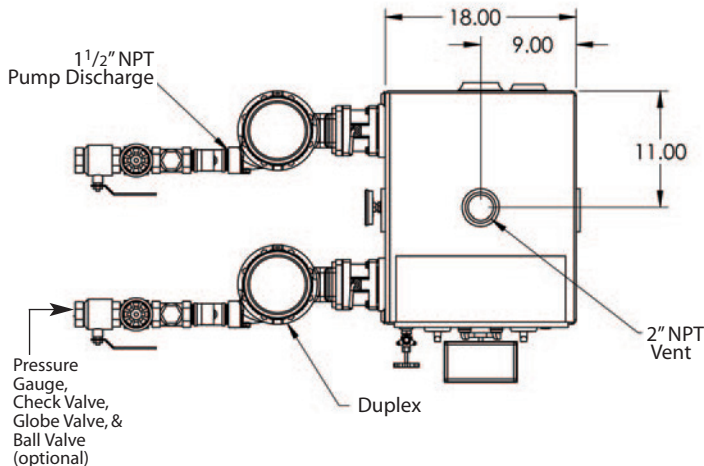
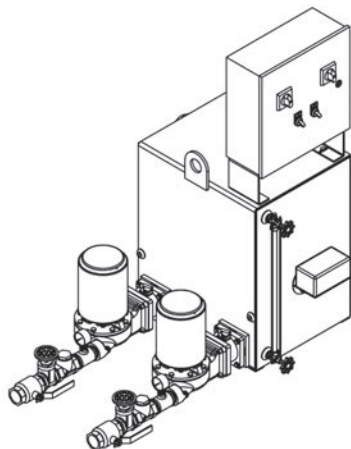
J

**SIMPLEX & DUPLEX** • 30 Gallon Receiver  
**4100** • Steel Receiver  
**4300** • Stainless Steel Receiver



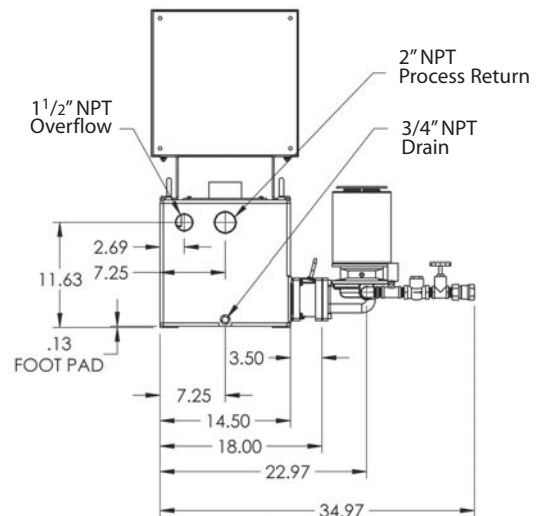
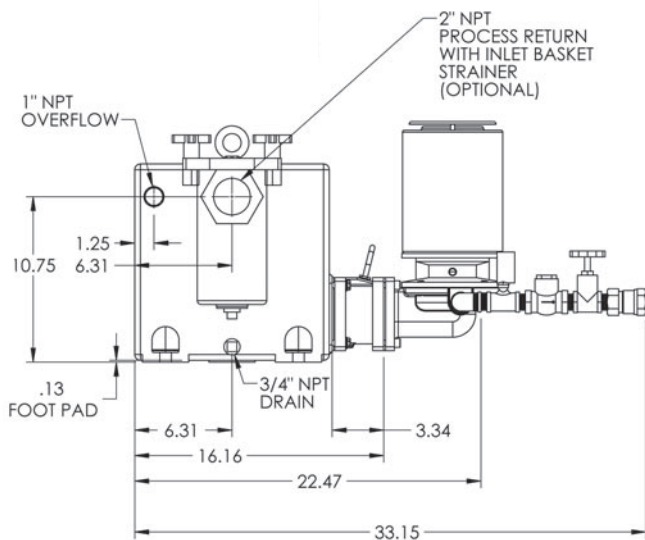
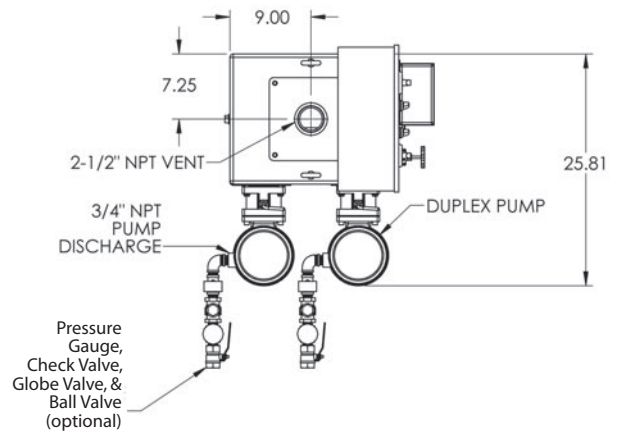
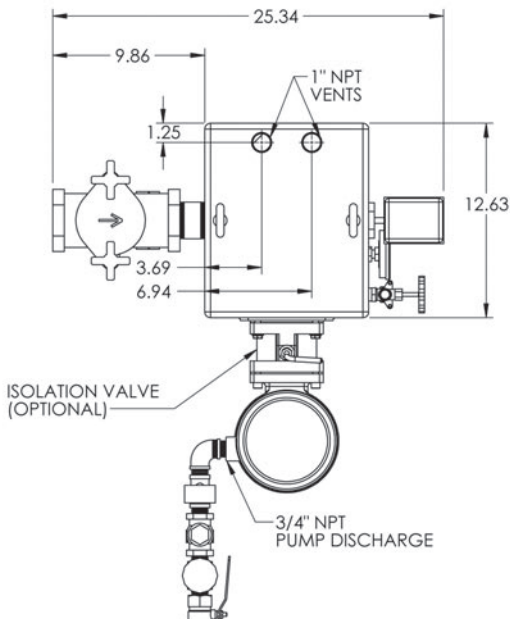
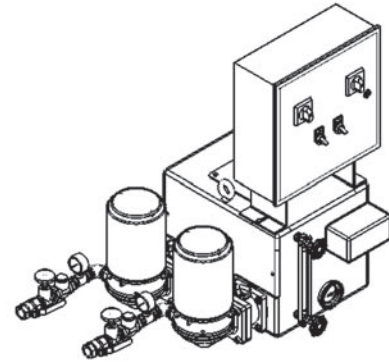
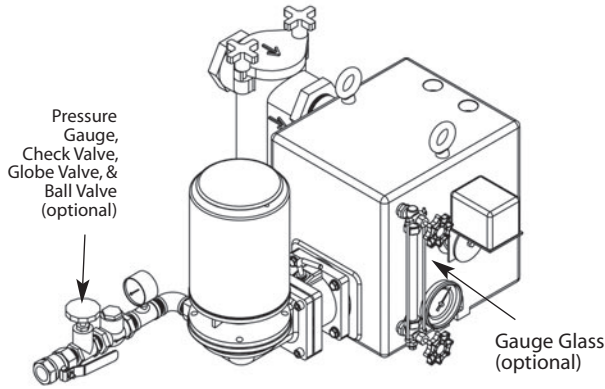
J

**SIMPLEX & DUPLEX** • 45 Gallon Receiver  
**4100** • Steel Receiver  
**4300** • Stainless Steel Receiver



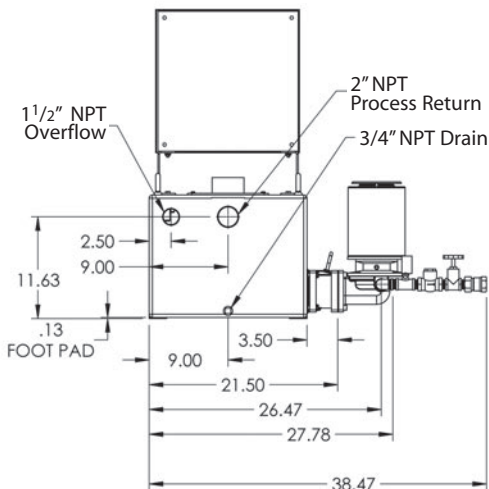
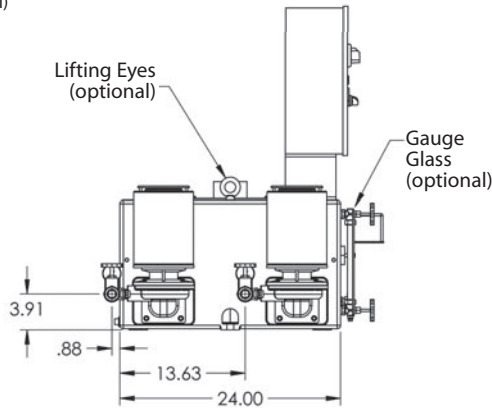
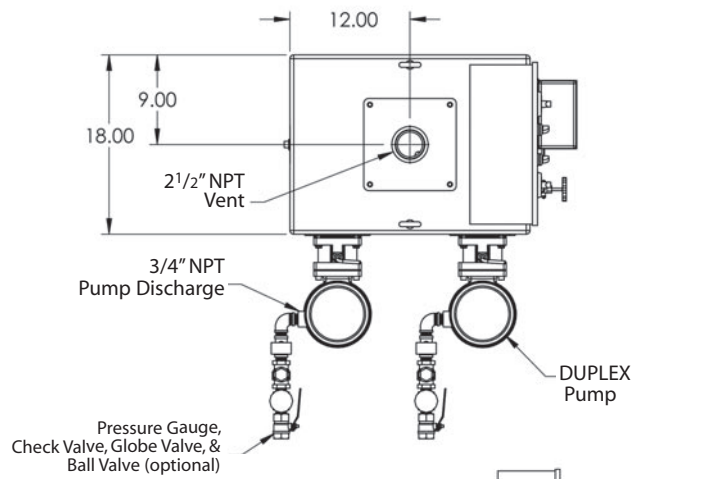
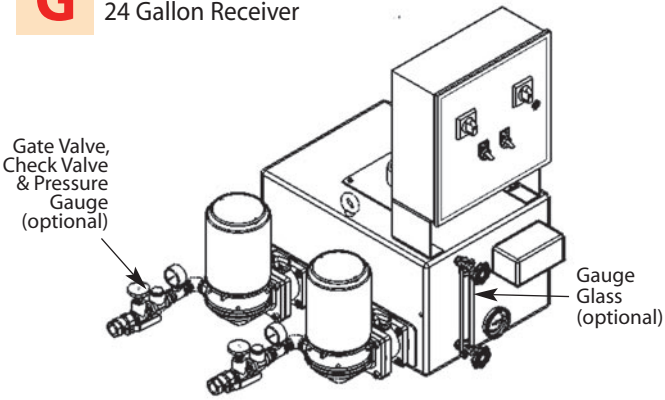
ELECTRIC PUMPS

**G** SIMPLEX & DUPLEX • 4200  
6 Gallon Receiver

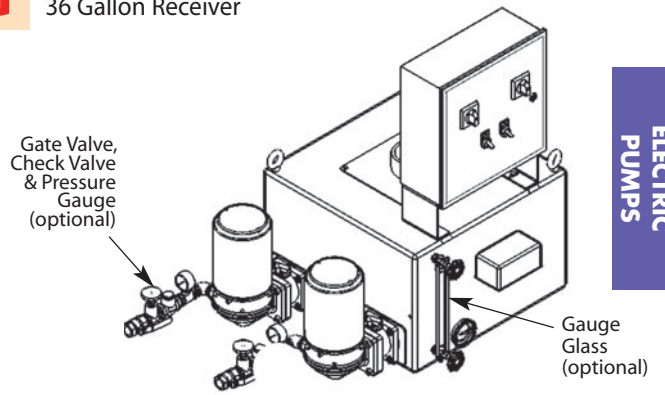




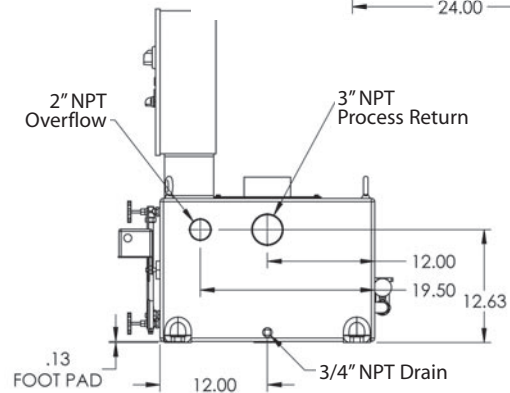
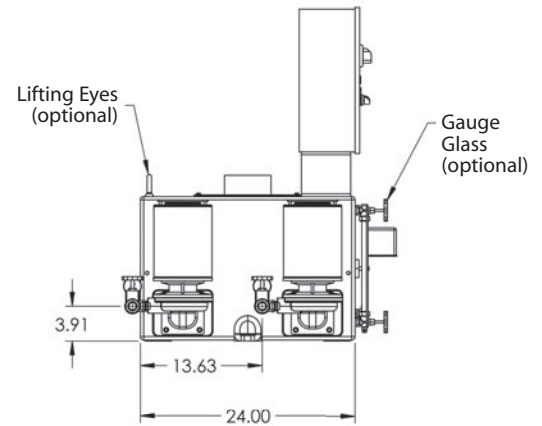
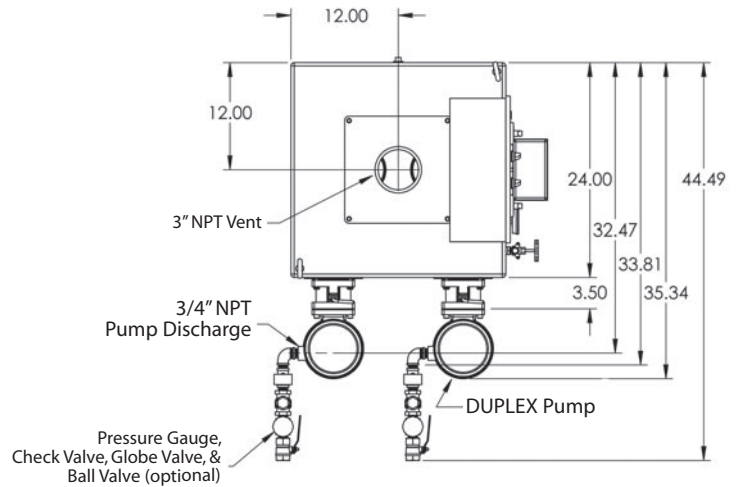
**G** SIMPLEX & DUPLEX • 4200  
24 Gallon Receiver



**G** SIMPLEX & DUPLEX • 4200  
36 Gallon Receiver

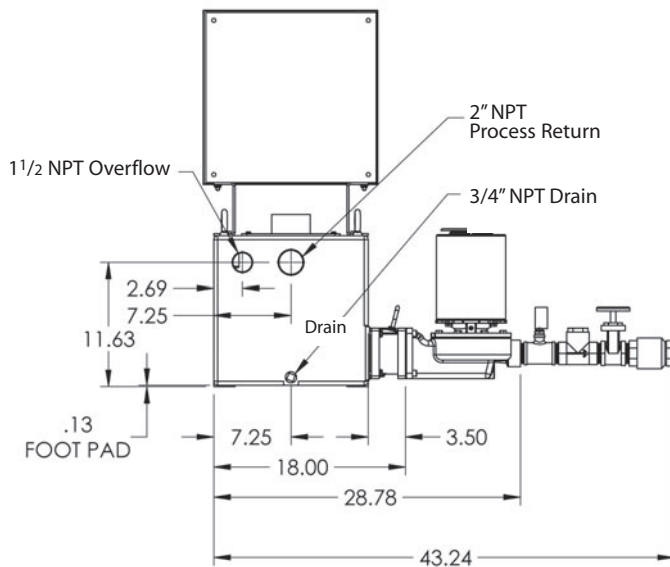
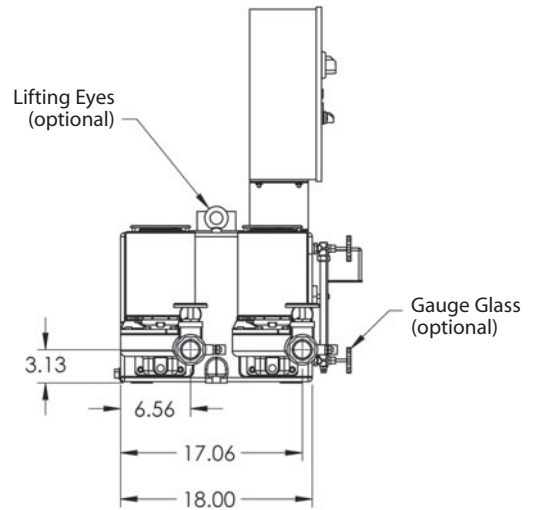
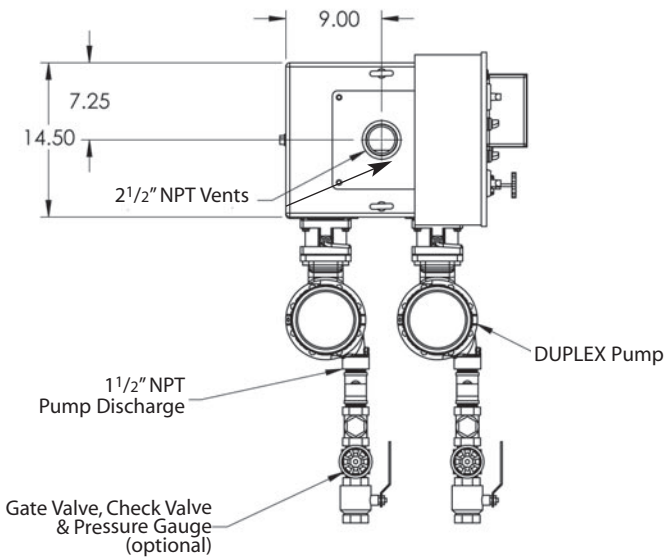
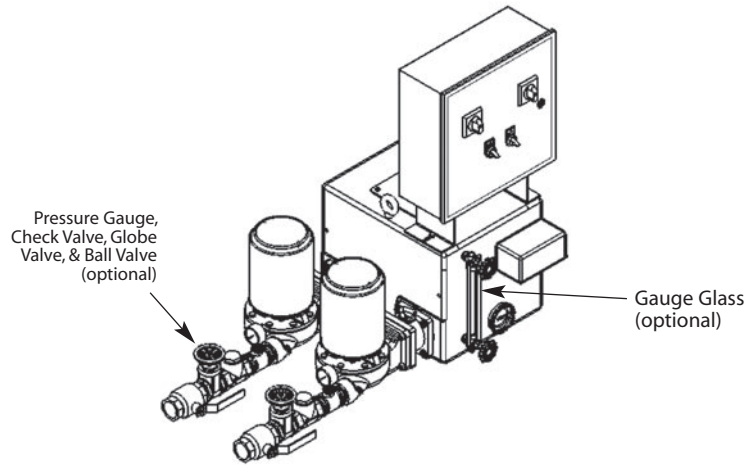


ELECTRIC PUMPS

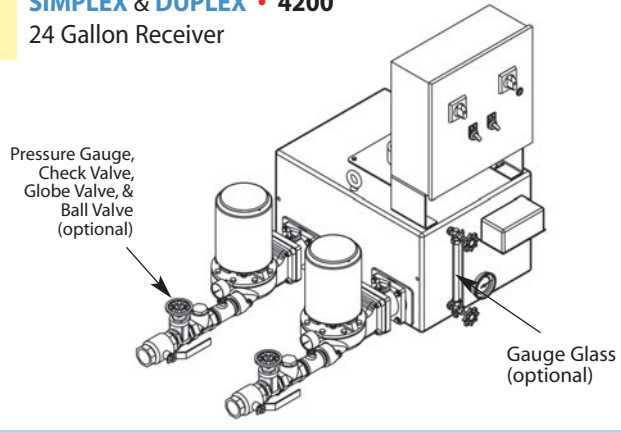


**J** SIMPLEX & DUPLEX • 4200  
15 Gallon Receiver

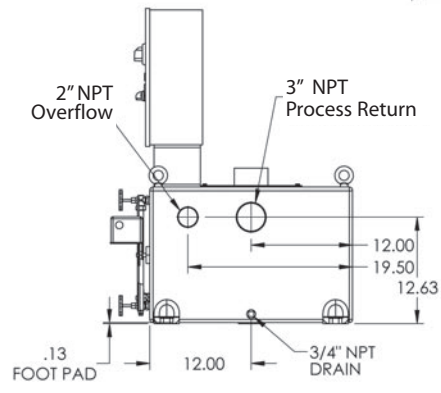
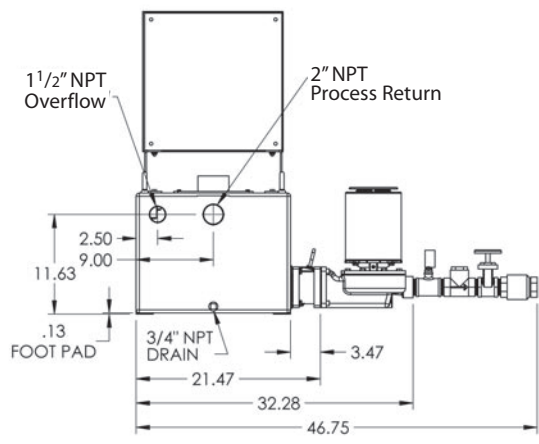
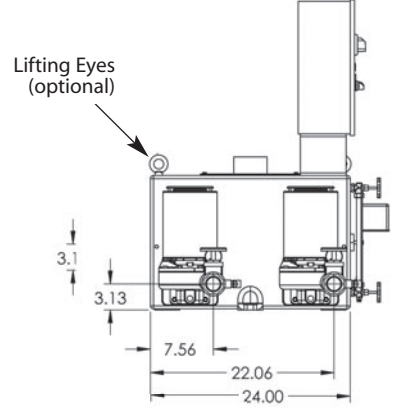
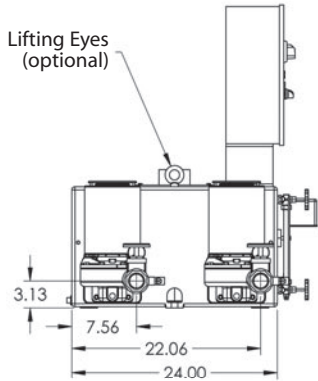
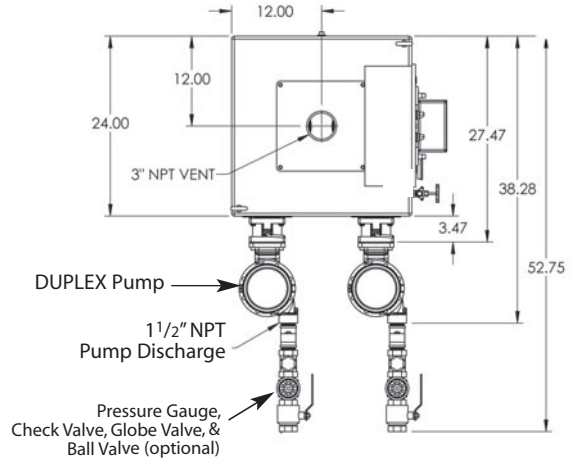
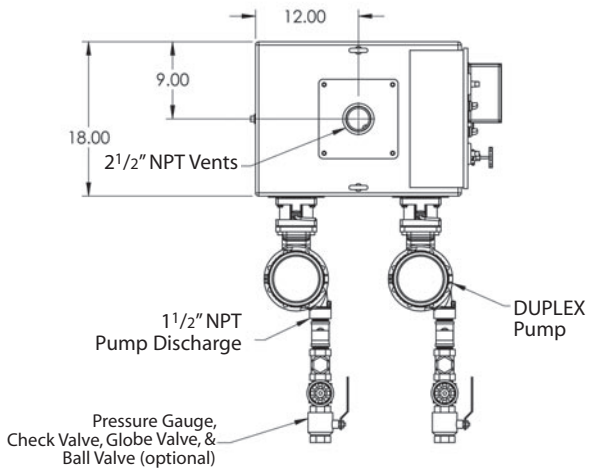
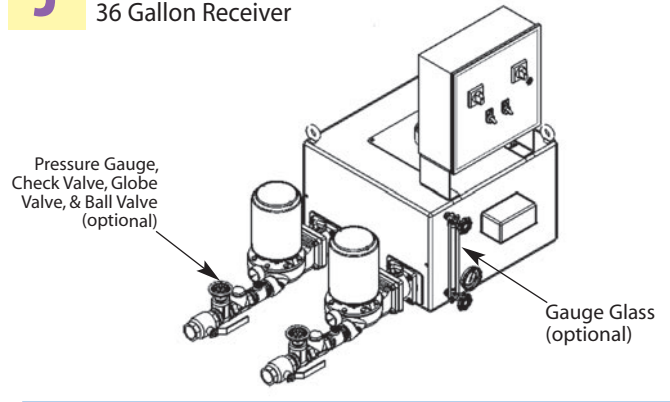
ELECTRIC  
PUMPS



**J** SIMPLEX & DUPLEX • 4200  
24 Gallon Receiver



**J** SIMPLEX & DUPLEX • 4200  
36 Gallon Receiver



# Boiler Feed Pumps

4100 • Steel Receiver  
4300 • Stainless Steel Receiver

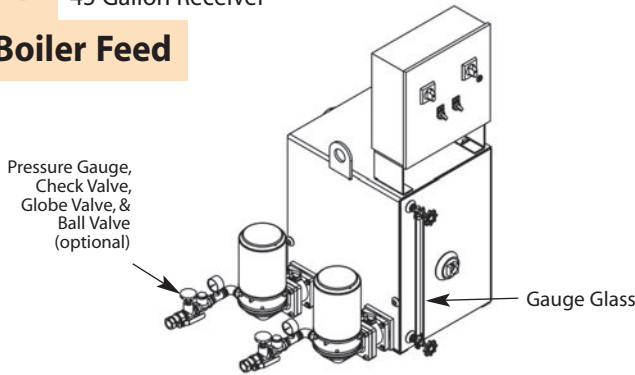
# W4100/4300

Electric Pump

ELECTRIC PUMPS

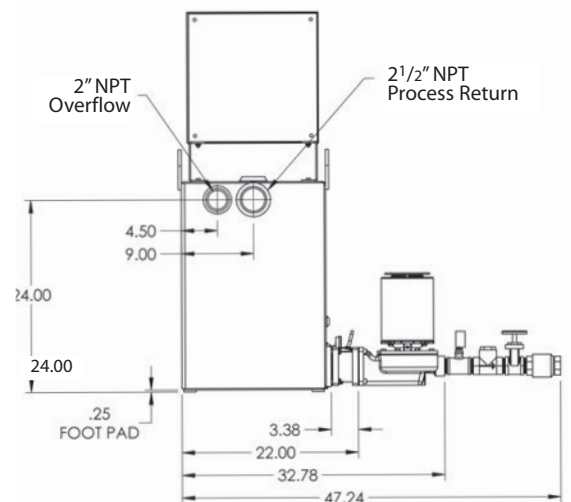
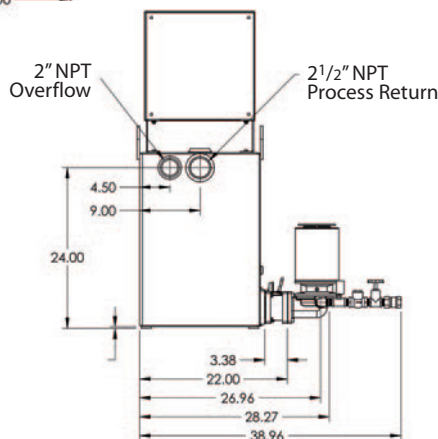
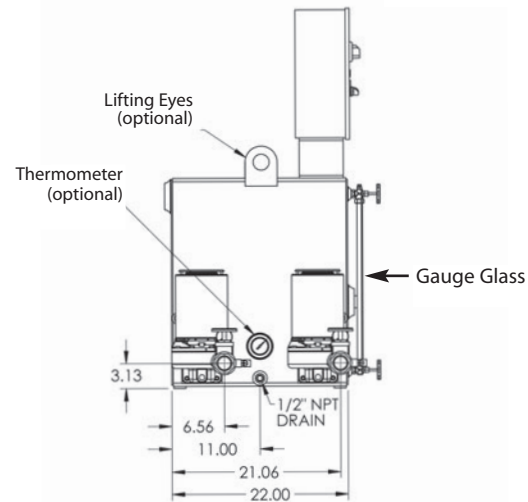
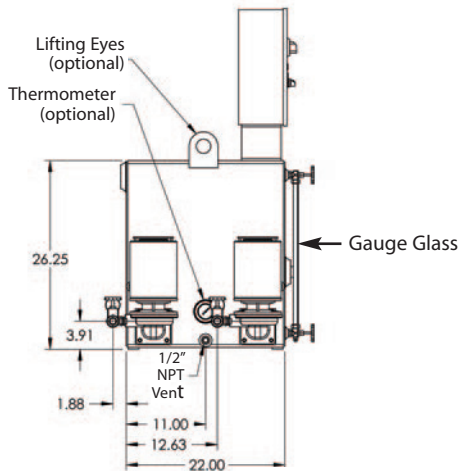
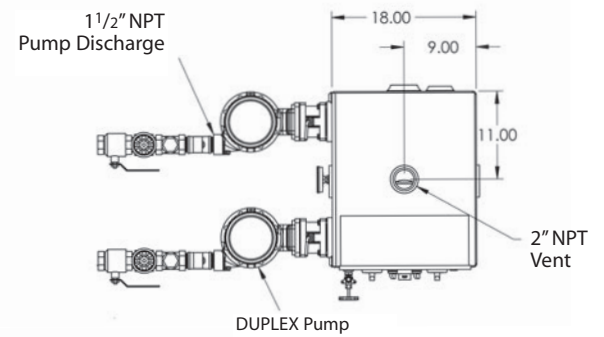
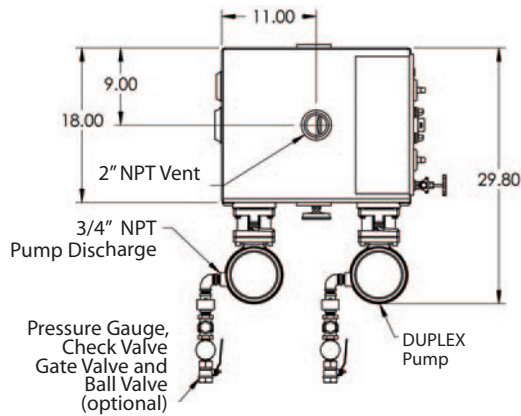
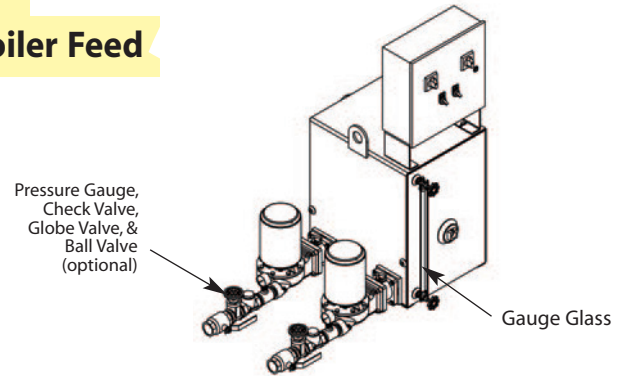
**G** SIMPLEX & DUPLEX • 4100/4300  
45 Gallon Receiver

## Boiler Feed



**J** SIMPLEX & DUPLEX • 4100/4300  
45 Gallon Receiver

## Boiler Feed



## Boiler Feed Pumps

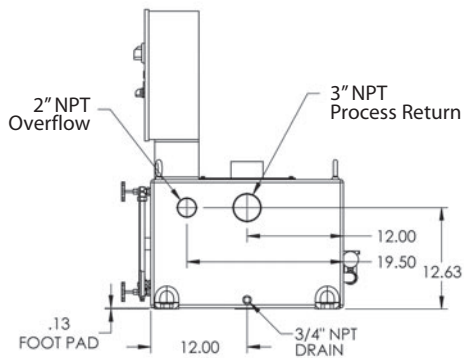
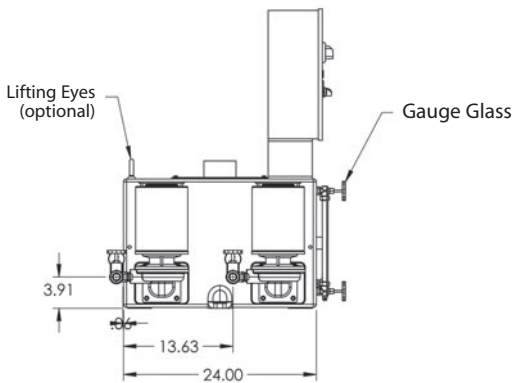
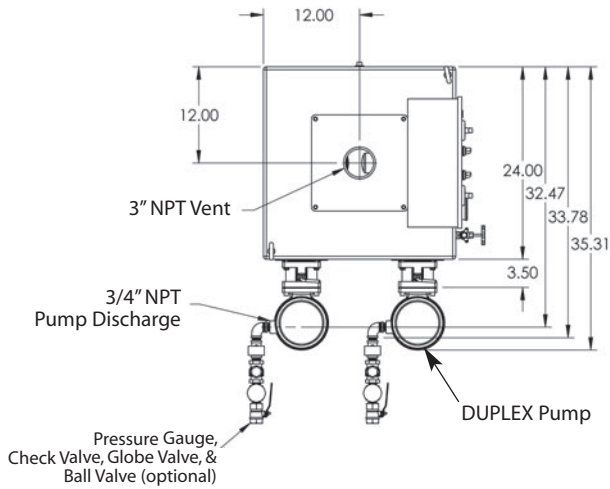
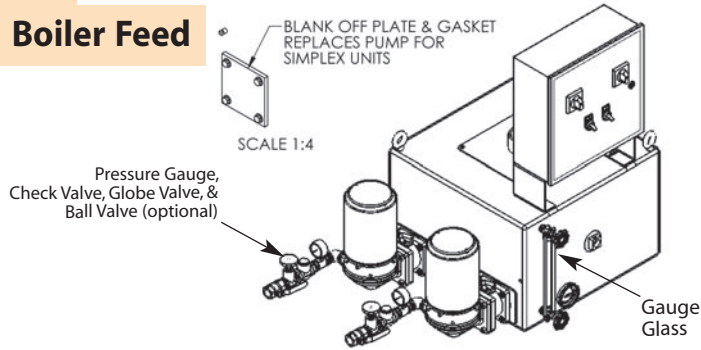
## Cast Iron Receiver

**G**

**SIMPLEX & DUPLEX • 4200**

36 Gallon Receiver

### Boiler Feed

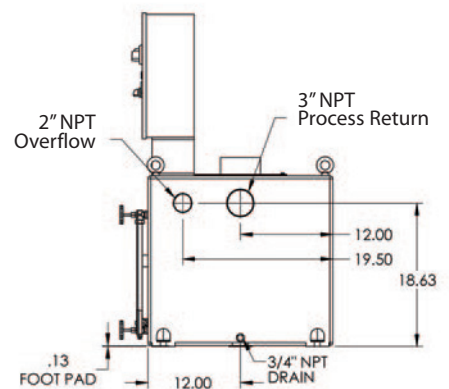
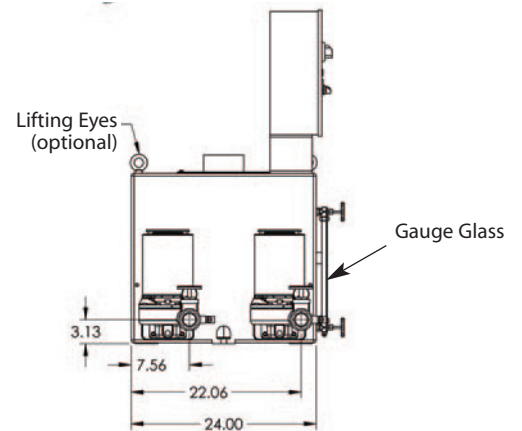
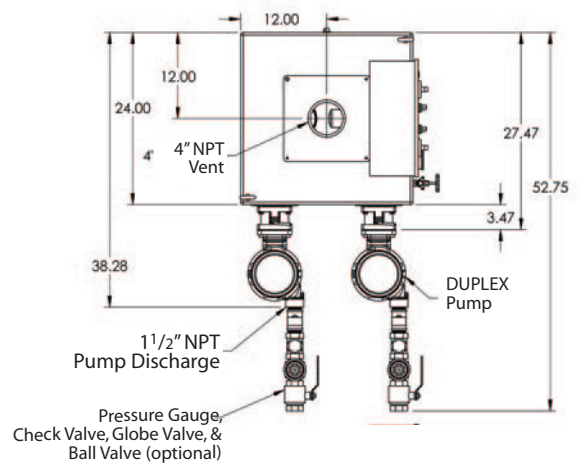
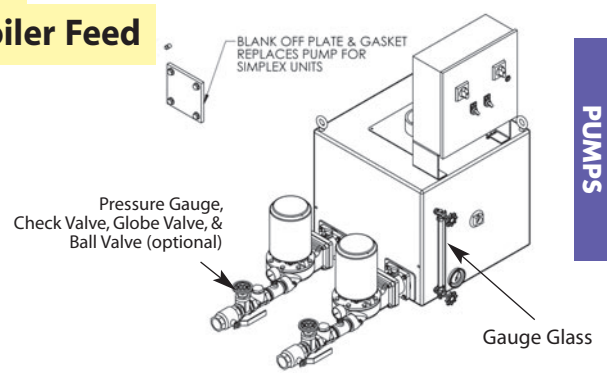


**J**

**SIMPLEX & DUPLEX • 4200**

50 Gallon Receiver

### Boiler Feed



**ELECTRIC PUMPS**