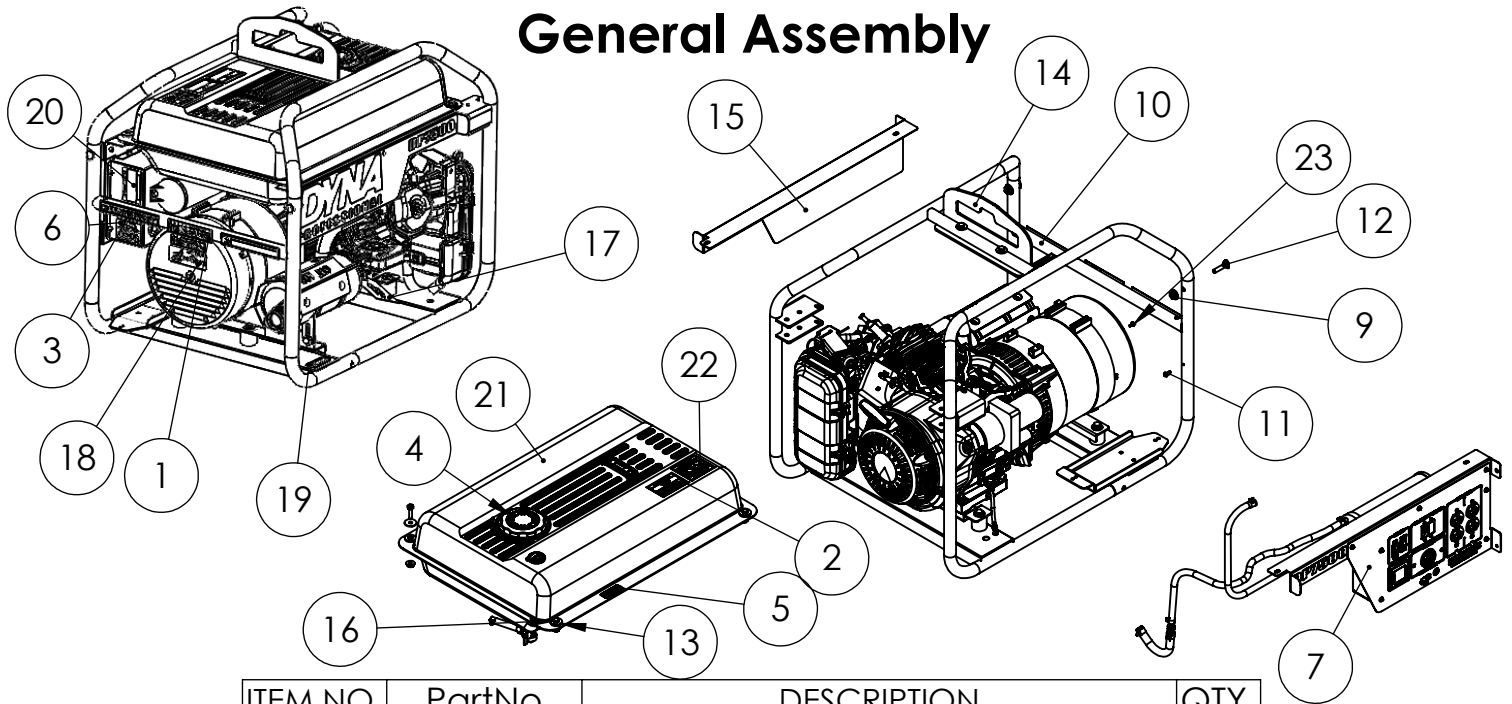


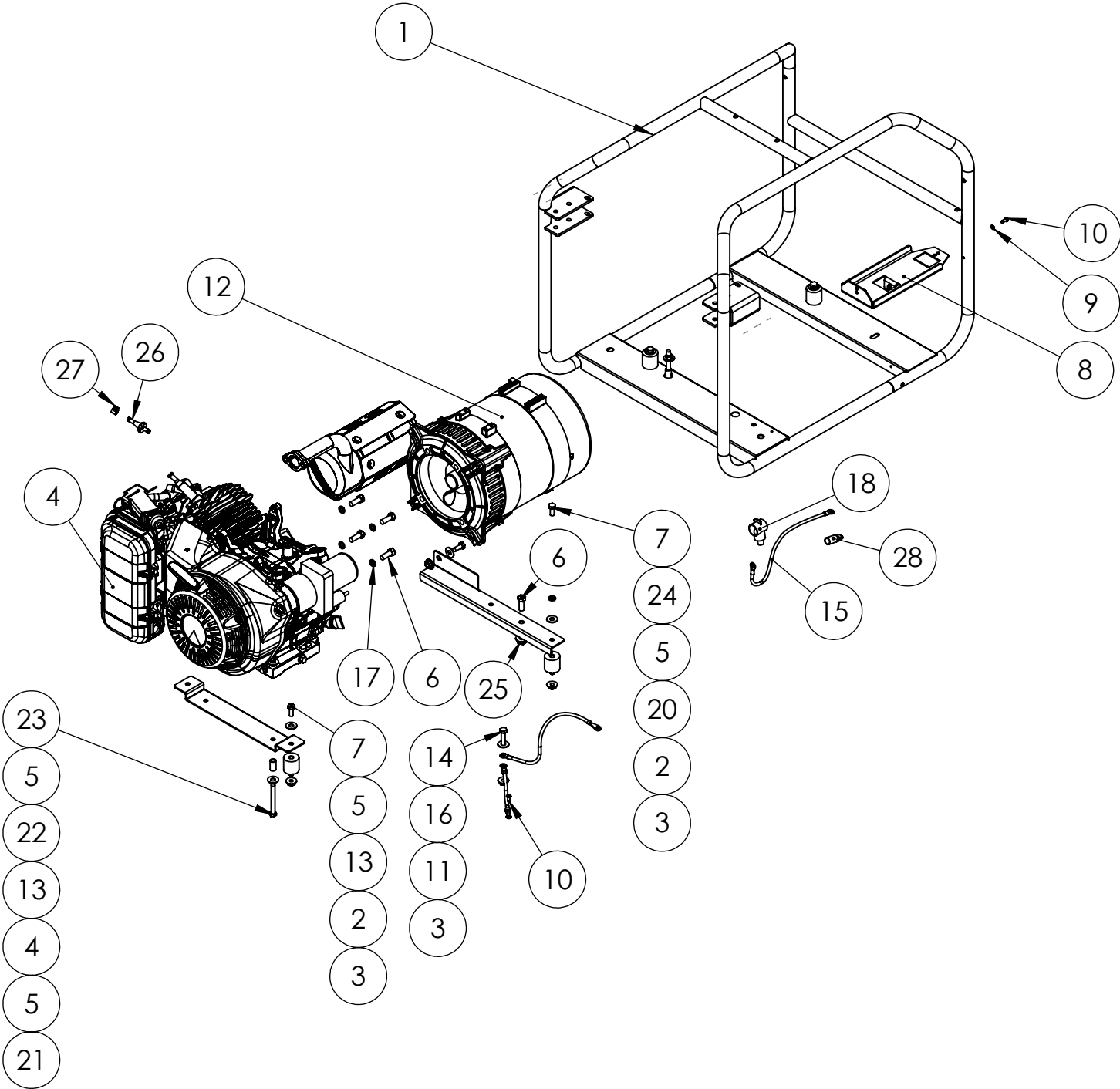
WINCO Service
Phone: 507-357-6831
Email: service@wincogen.com
www.wincogen.com

General Assembly



ITEM NO.	PartNo	DESCRIPTION	QTY.
1	15209-001	GASOLINE DECAL	1
2	15209-002	DECAL-DANGER CARBON MONOXIDE	1
3	15209-003	UL-DECAL ELECTRICAL SHOCK CAN KILL	1
4	15209-013	DECAL - FUEL TYPE GASOLINE	1
5	15209-014	DECAL - CHECK OIL	1
6	15209-036	PROP 65 WARNING DECAL	1
7	15457-077	RECEPTACLE ASSEMBLY	1
8	16248-000	.25-20 FLANGE NUT	4
9	16249-000	.3125-18 FLANGE	2
10	18000-042	CRADLE ASSEMBLY	1
11	21698-001	TORX PAN HEAD SCREW #10	1
12	23590-001	CURVED HEAD BOLT 5/16-18 X 1 1/2	2
13	267-002	FLAT WSH 9/32X1X.063	4
14	300144-21	LIFTING EYE ASSEMBLY	1
15	300217-33	RIGHT SIDE RAIL	1
16	439-000	.25-20 X 1 HHB	4
17	60710-018	OIL WARNING TAG	1
18	63941-001	DECAL -HOT SURFACES	1
19	63941-012	DECAL-HOT SURFACES	1
20	63966-004	NAMEPLATE, WINCO PORTABLE	1
21	64024-006	FUEL SYSTEM INSTALLATION	1
22	64918-000	DECAL-DANGER (CO) USE OUTSIDE	1
23	82539-001	SELF TAP.SC.6X3/8	1
27	15209-102	DECAL-DANGER CARBON MONOXIDE	1
28	15209-101	DECAL, GASOLINE DANGER, FRENCH	1
29	15209-103	UL-DECAL ELECTRICAL SHOCK CAN KILL	1

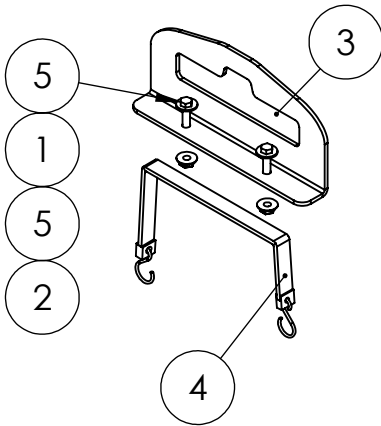
Cradle Assembly



Cradle Assembly

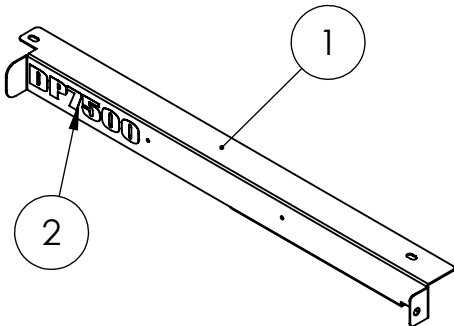
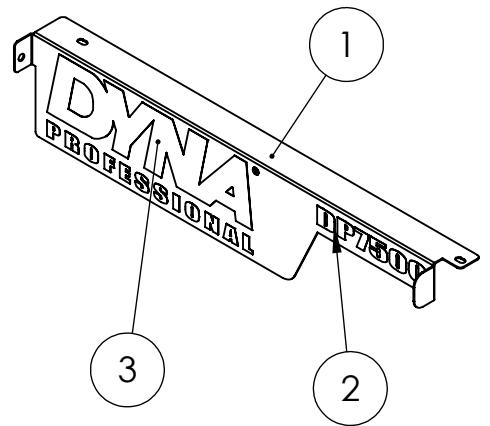
ITEM NO.	PartNo	DESCRIPTION	QTY.
1	63073-055	WELDED CRADLE ASSEMBLY	1
2	64062-000	SHOCKMOUNT, BLACK 40 DURO	4
3	16249-000	.3125-18 FLANGE	7
4	15428-002	ENGINE HONDA GX390RT2 VCT2	1
5	526-000	5/16 FLAT WASHER	10
6	91658-001	HHCS 3/8-16X1	5
7	467-000	HHCS 5/16-18X.75	5
8	15676-020	BATTERY TRAY	1
9	96286-002	FLAT WASHER NYLON	2
10	21698-001	TORX PAN HEAD SCREW #10	3
11	9769-145	LEAD WIRE ASSEMBLY	1
12	16346-005	GEN END, 7.2 KW, MECC ALTE	1
13	15929-010	SHOCKMOUNT BRACKET	1
14	468-000	.3125-18X1.5 HHCS	1
15	15767-014	POS. BATTERY CABLE	1
16	15767-030	NEG. BATTERY CABLE	1
17	481-000	LOCK 3/8 SPLIT	4
18	16145-000	TERMINAL INSULATOR	1
19	350590-18	MUFFLER, GX270-GX390, HT7, W/HEAT SHIELDING	1
20	16335-023	GENERATOR SUPPORT	1
21	47136-000	HEX NUT .3125-18 NYLOK	2
22	62825-003	SPACER .318ID X 7/8LG	2
23	51101-000	.3125-18 X 2.75 HHCS	2
24	480-000	5/16 SPLIT LOCKWASHER	2
25	16250-000	.375-16 FLANGE NUT	1
26	62496-005	FUEL FILTER, 40-70MIC	1
27	62999-005	HOSE CLAMP .41 OD GREEN	1
28	16234-000	CAP PLUG	1

MISC Assemblies



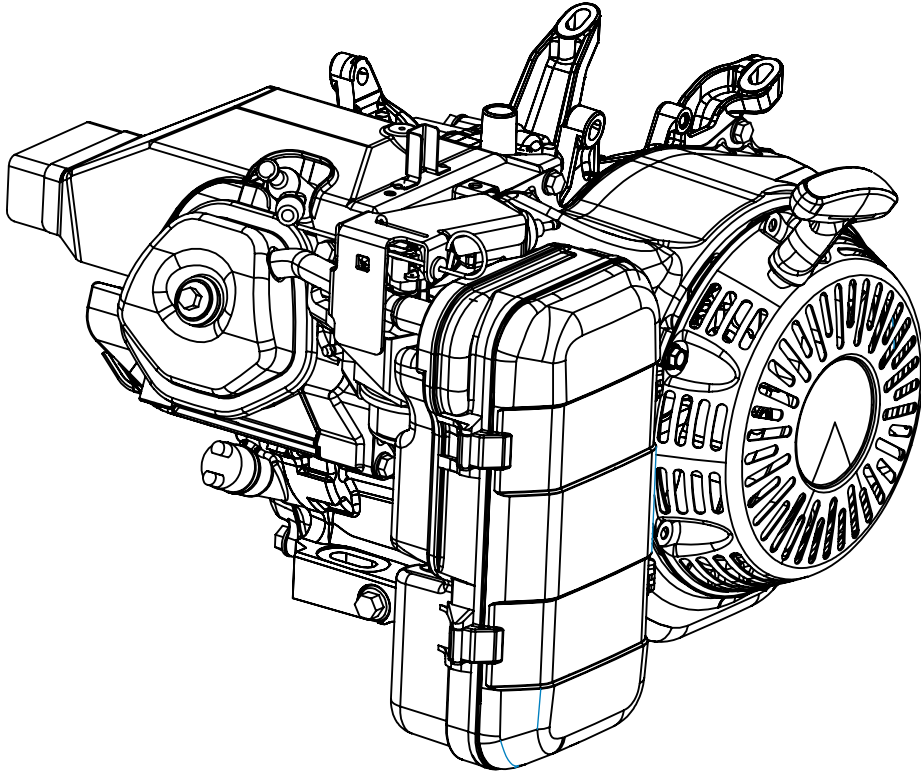
ITEM NO.	PartNo	DESCRIPTION	QTY.
1	526-000	WASHER ID .375 OD .890	2
2	16249-000	.3125-18 FLANGE	2
3	300148-24	LIFTING EYE	1
4	16329-001	RUBBER STRAP, BATTERY HOLD DOWN	1
5	9416-000	HHCS .3125-18X1.75 GR5	2

ITEM NO.	PartNo	DESCRIPTION	QTY.
1	300217-26	RIGHT SIDE RAIL	1
2	97993-005	DP7500 DECAL	1
3	97993-006	DYNA PROFESSIONAL DECAL	1



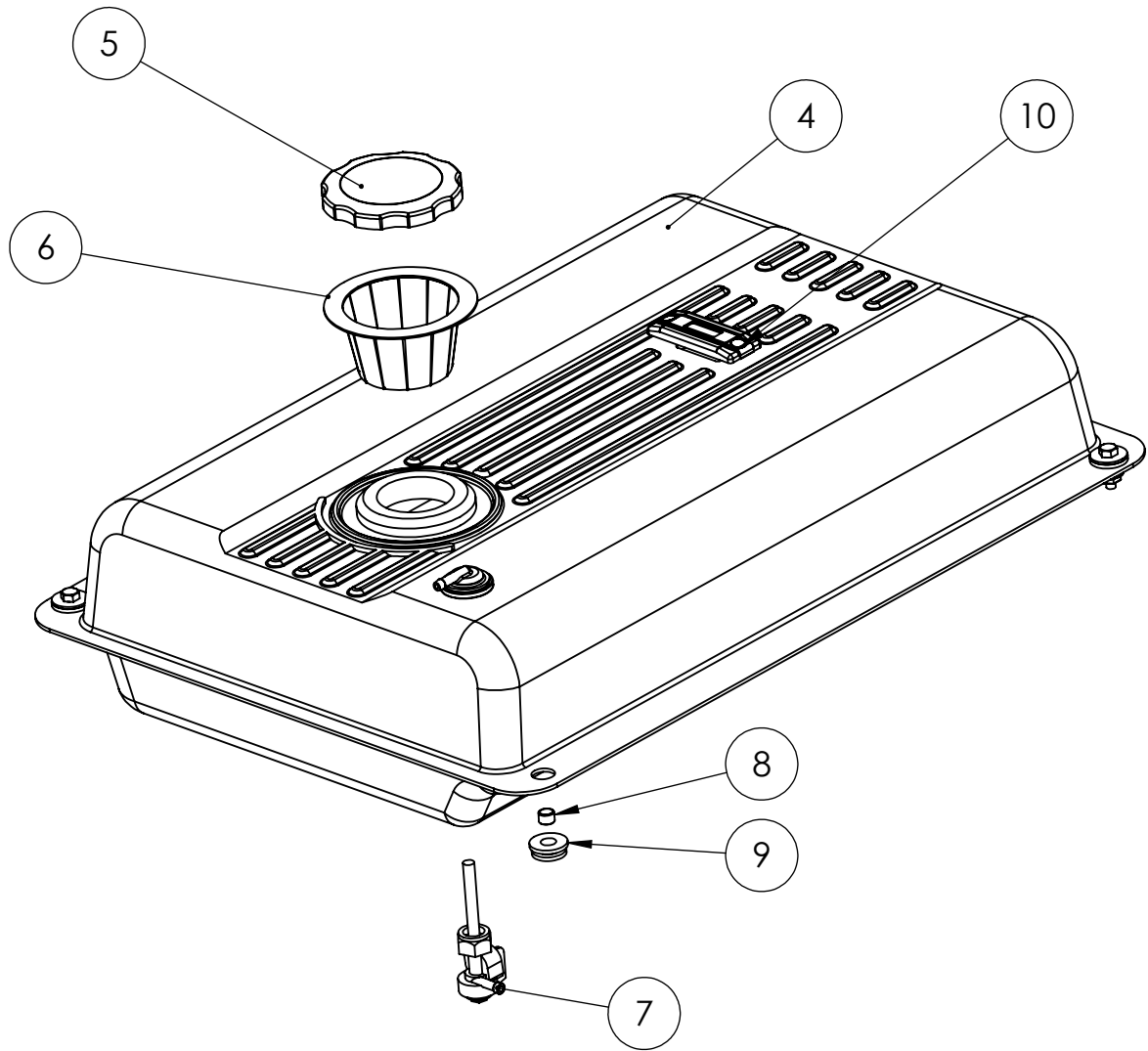
ITEM NO.	PartNo	DESCRIPTION	QTY.
1	300217-27	LEFT SIDE RAIL	1
2	97993-005	DP7500 DECAL	1

Engine



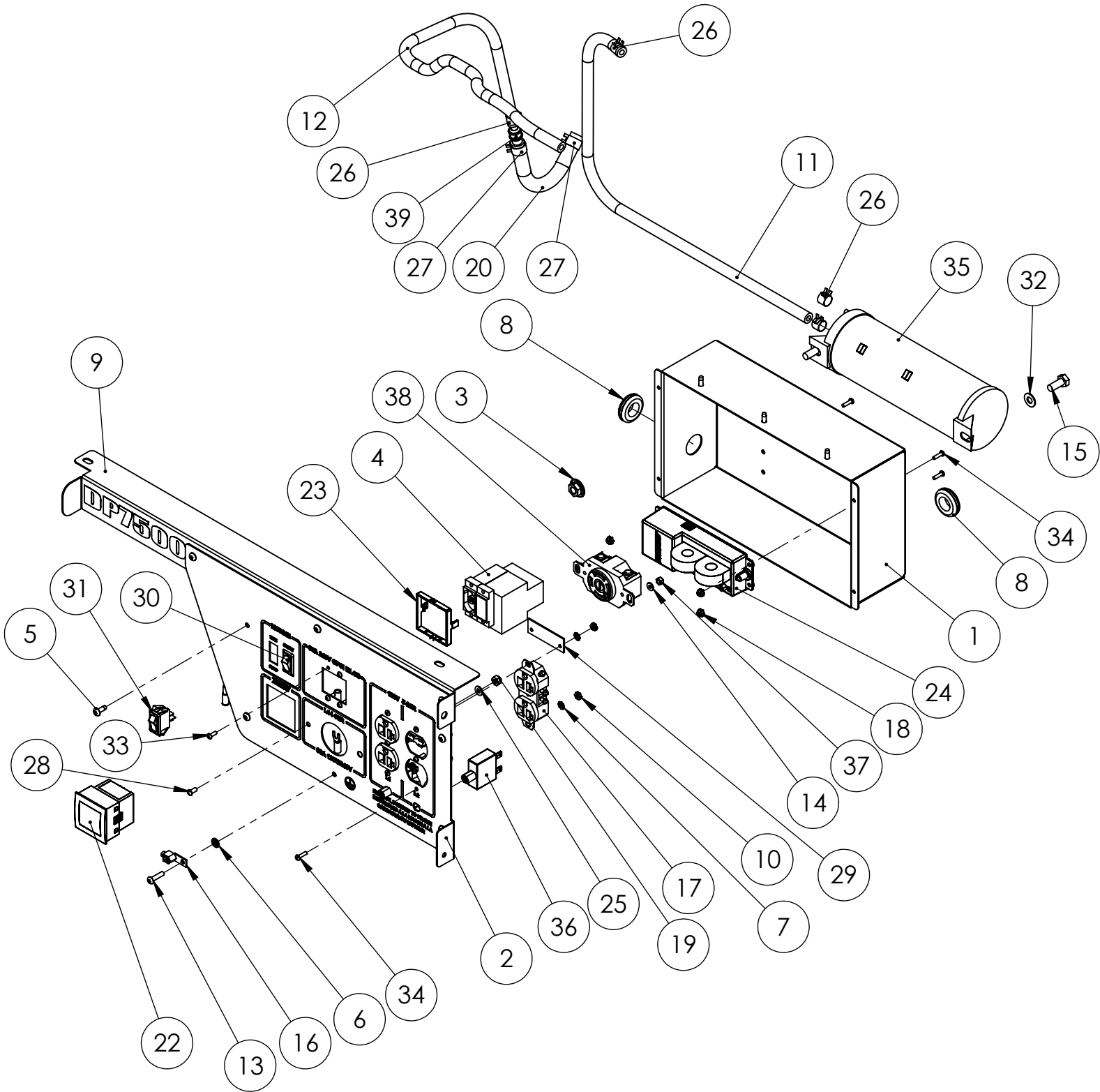
ITEM	PART	DESCRIPTION	QTY
1	1-111	Spark Plug	1
2	1-112	Air Filter	1
Contact WINCO service or your Honda dealer for full engine part support.			

Fuel Tank



ITEM NO.	PartNo	DESCRIPTION	Default/Qty.
1	16248-000	.25-20 FLANGE NUT	3
2	267-002	FLAT WSH 9/32X1X.063	3
3	439-000	.25-20 X 1 HHB	3
4	64024-007	FUEL TANK LD-08 PM 8 GALLON	1
5	64024-401	FUEL CAP, SEALED, AUDIBLE, TETHERED	1
6	64024-403	FUEL FILTER	1
7	64024-404	168B FUEL CONTROL VALVE	1
8	64024-405	ANTI-CRUSH INSERT	4
9	64024-406	RUBBER BUSHING	4
10	64024-409	FUEL LEVEL GAUGE, 180MM	1
ALL ITEMS LISTED IN THE ABOVE TABLE ARE INCLUDED WITH A 64024-007 FUEL TANK PURCHASE			
12	62273-262	TOUCH UP PAINT, BLACK 3048	

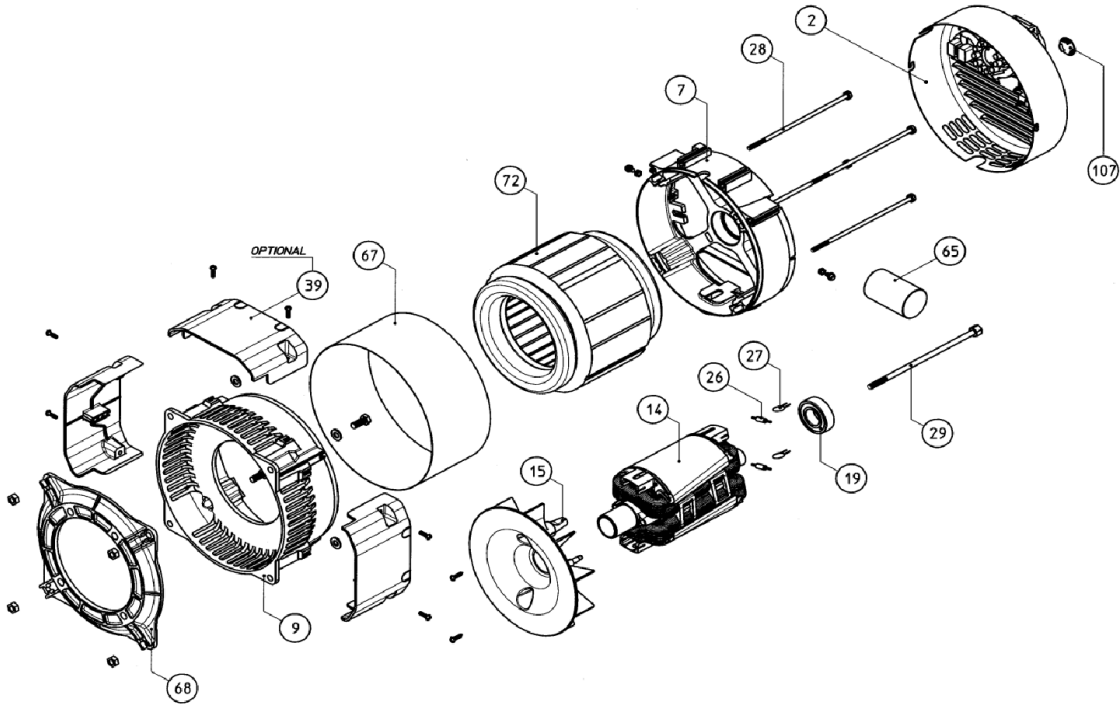
Receptacle Assembly



Receptacle Assembly

ITEM NO.	PartNo	DESCRIPTION	QTY.
1	15221-053	RECEPTACLE BOX	1
2	15458-077	RECEPTACLE PANEL	1
3	16249-000	.3125-18 FLANGE	2
4	16488-018	CIR.BRK.30A-2PL-240V-GFCI-CARLING	1
5	21698-001	TORX PAN HEAD SCREW #10	10
6	21975-000	#10 INT. TOOTH LOCKWASHER	1
7	22989-000	#6 LOCKWASHER	4
8	23917-000	GROMMET .6875 X 1	2
9	300216-33	LEFT SIDE RAIL	1
10	394-000	NUT HEX #6-32	4
11	40078-000	.25IN ID RUBBER HOSE 24IN LONG	1
12	40078-000	.25IN ID RUBBER HOSE 40IN LONG	1
13	420-001	BZ RHMS 10-24X3/4 PHILLIPS	1
14	425-000	#6 FLATWASHER	4
15	467-000	HHCS 5/16-18X.75	2
16	48042-001	TERMINAL, GROUND LUG, 6-14AWG	1
17	50766-000	NEMA 5-20R DUPLEX RECEPTACLE	2
18	51802-000	NUT HEX #6-32 NYLOCK	4
19	5315-000	NUT HEX 10-24 NYLON	1
20	55505-000	HOSE .375" ID RUBBER 2.25" LONG	1
21	58165-18	DISPLAY MODULE CABLE	1
22	58166-009	DISPLAY MODULE	1
23	58166-009	DISPLAY MODULE MOUNTING CLIP	1
24	58166-010	TERMINAL BLOCK MODULE	1
25	598-000	#10 WASHER	1
26	62999-001	HOSE CLAMP .5 OD RED	4
27	62999-004	HOSE CLAMP .69 OD	2
28	6402-001	8-32 X .375 BLACK SCREW	2
29	64045-041	MOUNTING STRAP, 2 HOLE, 1.800 IN	1
30	64089-001	SPST, ROCKER SWITCH	1
31	64089-000	SPST, ROCKER SWITCH	1
32	65005-001	5/16 WASHER SS	2
33	6917-001	RHMS 6-32 X .375 BLACK ZINC	4
34	7792-001	BZ RHMS 6-32X.5	10
35	80902-001	CARBON CANISTER, 7 GAL.	1
36	91286-001	CIRCUIT BREAKER, 20A, 1 PL	2
37	95985-000	#8-32 NYLOK HEX NUT	2
38	97360-000	RECEPTACLE, NEMA L14-30R 120_240V	1
39	98590-003	HOSE REDUCER 1/8-5/16 X 1/4-7/16	1

Generator Information



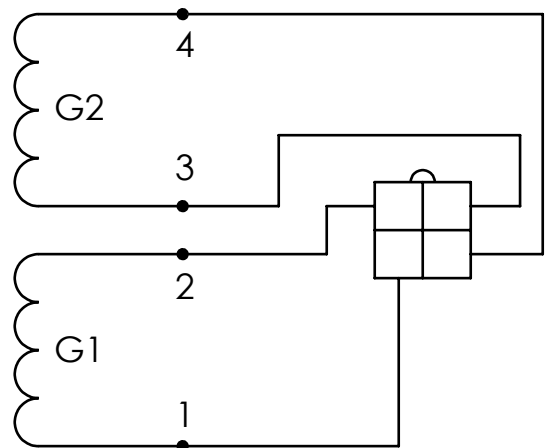
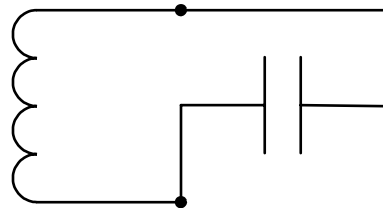
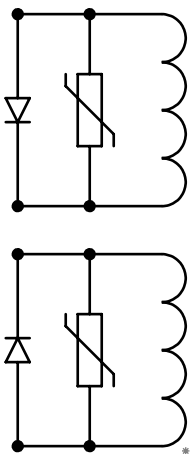
ITEM	PART	DESCRIPTION	QTY
1	16346-005	COMPLETE S20W-95 GEN	1
19	54665-000	BEARING 6205-2RS	1
26	300323-207	DIODE - SCD 25A 1300V	2
27	16346-106	VARISTOR	2
65	16346-312	CAPACITOR, 40 MFD, 450 VAC	1
107	9-100	END PLUG	1
-	16436-010	LOAD PLUG	1
-	16346-011	LOAD PLUG PINS	4

S20W-95 EXPECTED RESISTANCE (Ω)		
ROTOR	STATOR	EXCITATION
4.80	0.280	0.76

ROTOR

EXCITATION

POWER



Receptacle Wiring

