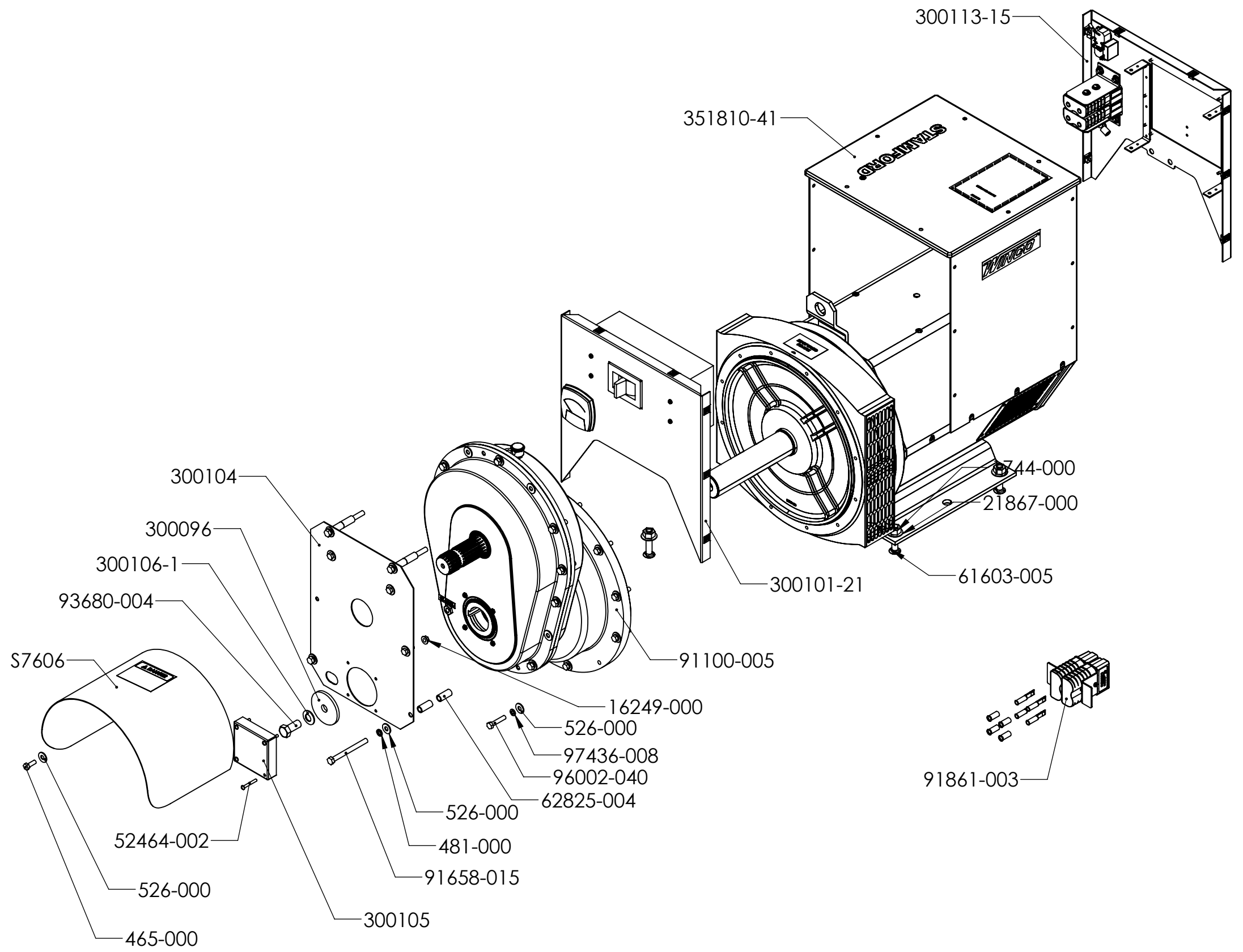


64864-013

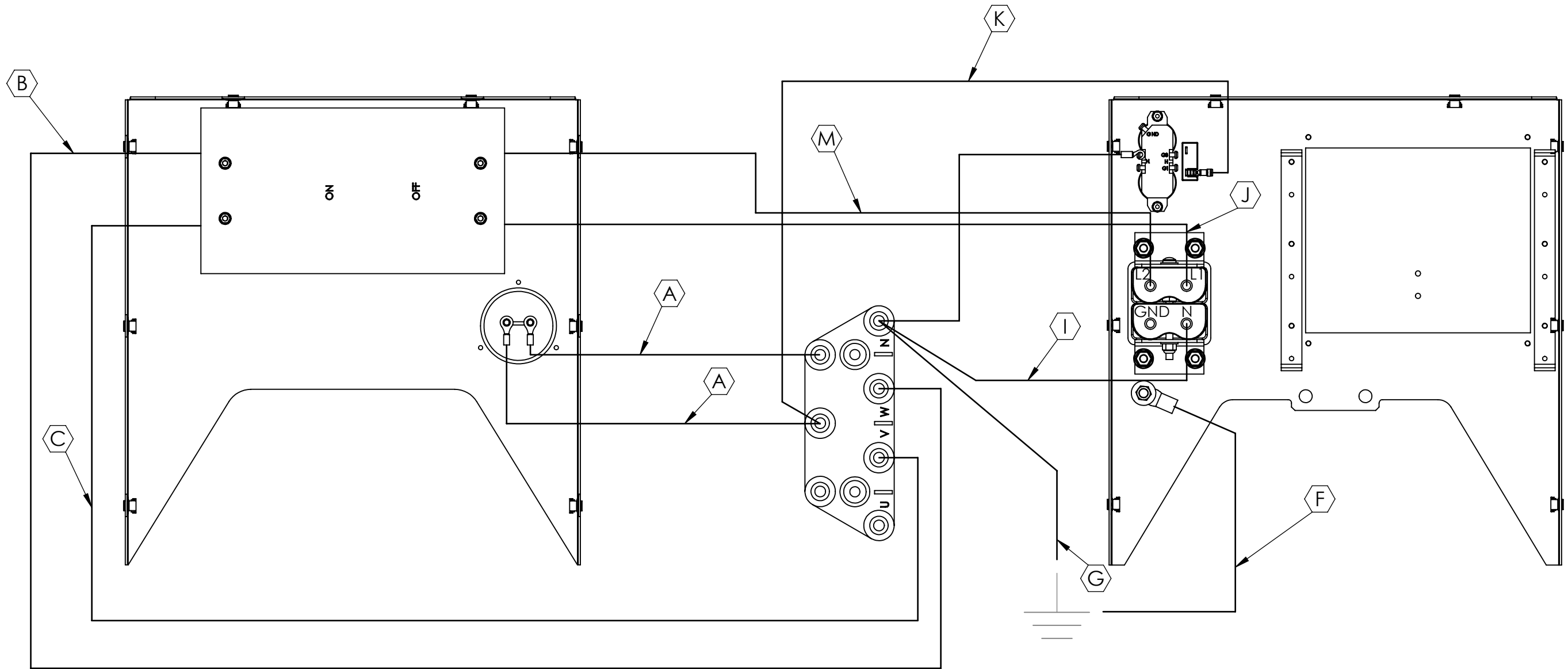
REVISIONS					
REV.	IRN	DESCRIPTION	DATE	BY	APP'D
A	P275	ORIGINAL	3/17/2017	SJM	DRC

ITEM NO.	PartNo	DESCRIPTION	QTY
1	16249-000	.3125-18 FLANGE	4
2	1744-000	NUT HEX 1/2-13	4
3	21867-000	FLAT WASHER	4
4	300096	WASHER SHAFT	1
5	300101-21	MAIN LINE CIRCUIT BREAKER PANEL ASSEMBLY	1
6	300104	SUPPORT, PTO GUARD	1
7	300105	GUARD, LOWER SHAFT	1
8	300106-1	WASHER BLVL	1
9	300113-15	FRONT PANEL ASSEMBLY	1
10	350096-35	HHCS M16-2.0 X 35MM GR10.9	1
11	351810-41	GEN.END, UCI224F, 2-BRG., WDG#06	1
12	465-000	.3125-18X.875 HHB	4
13	481-000	LOCK 3/8 SPLIT	4
14	484-000	LOCKWASHER #10 SPLIT	4
15	52464-002	RHMS 10-32X1.5	4
16	526-000	WASHER ID .375 OD .890	20
17	61603-005	BOLT CRG 1/2-13 X 2.5" ZINC	4
18	62825-004	SPACER	8
19	6372-000	#10-32 HEX NUT	4
20	91099-005	GEARCASE ASSEMBLY	1
21	91658-015	.375-16X4 HHB	4
22	91861-003	PLUG KIT	1
23	96002-040	M8-1.25X40MM	12
24	97436-008	LOCKWASHER M8	12
25	S7606	PTO GUARD	1
26	15209-003	UL-DECAL ELECTRICAL SHOCK CAN KILL	1
27	15750-001	GROUND DECAL	1
28	16303-000	DECAL-OIL LEVEL	1
29	52077-000	DECAL-CAUTION OIL LEVEL	1
30	53113-002	WINCO DECAL	2
31	63966-007	KIT, NAMEPLATE WINCO PTO	1
32	91369-000	DECAL- 540 RPM	1
33	Z25272	DECAL, LOAD CONNECTIONS - 1PH 4 CAVITY	1
34	Z2553	DECAL-OPERATOR INSTRUCTIONS	1
35	Z2568	DECAL-DANGER PTO	1



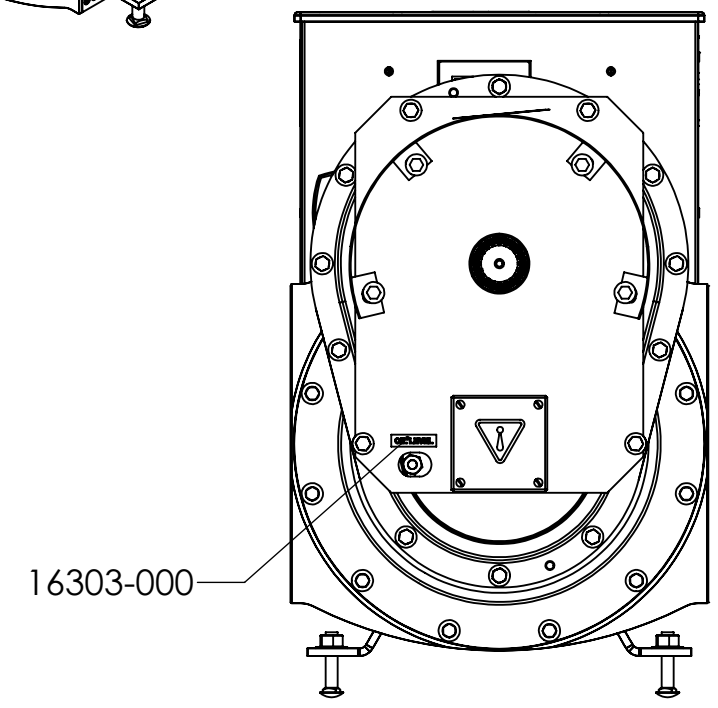
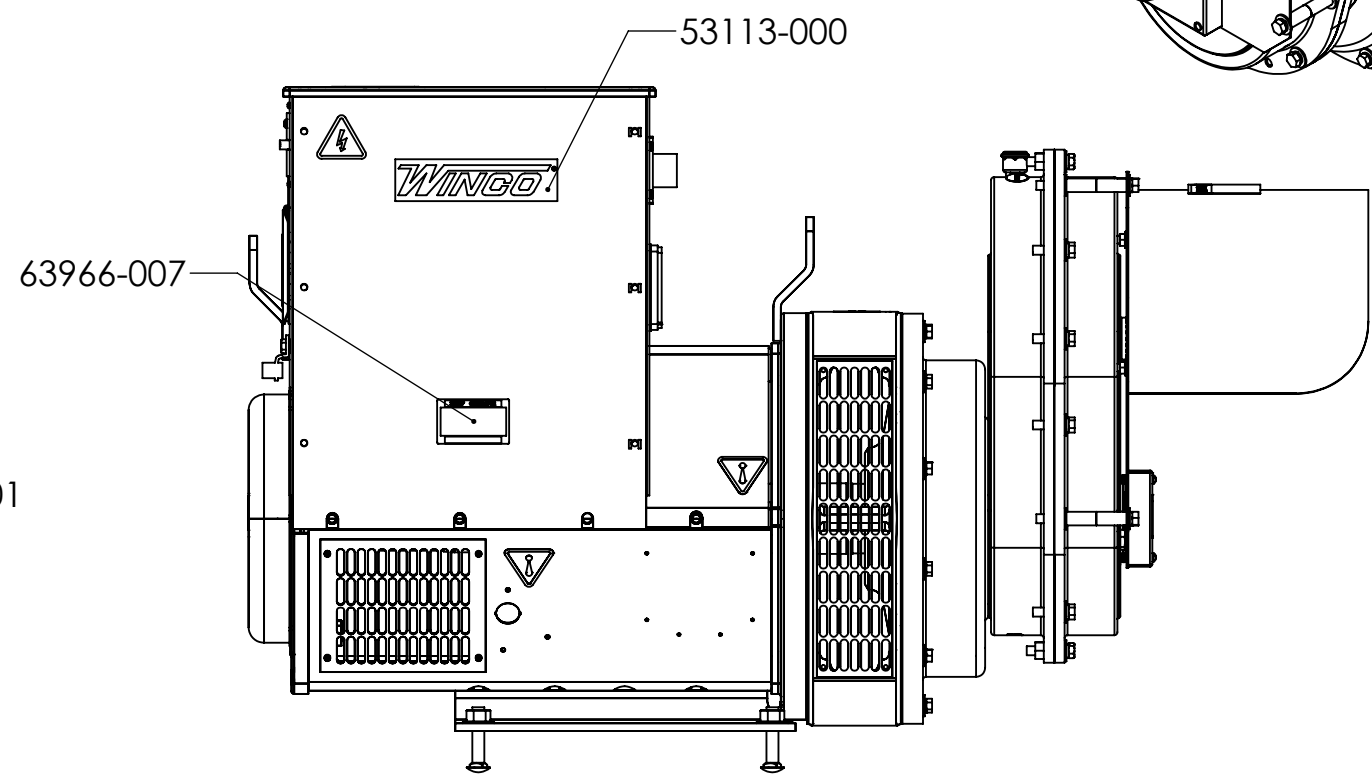
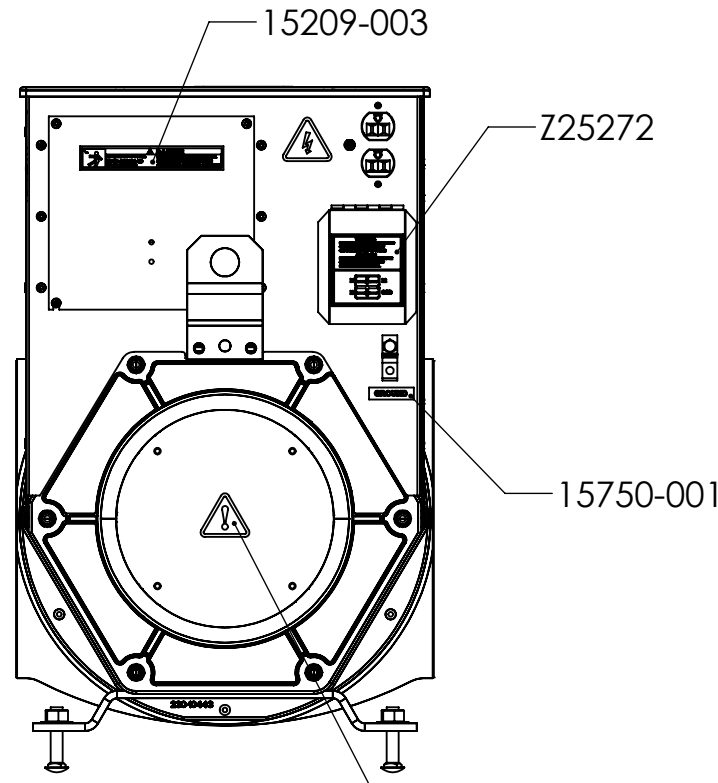
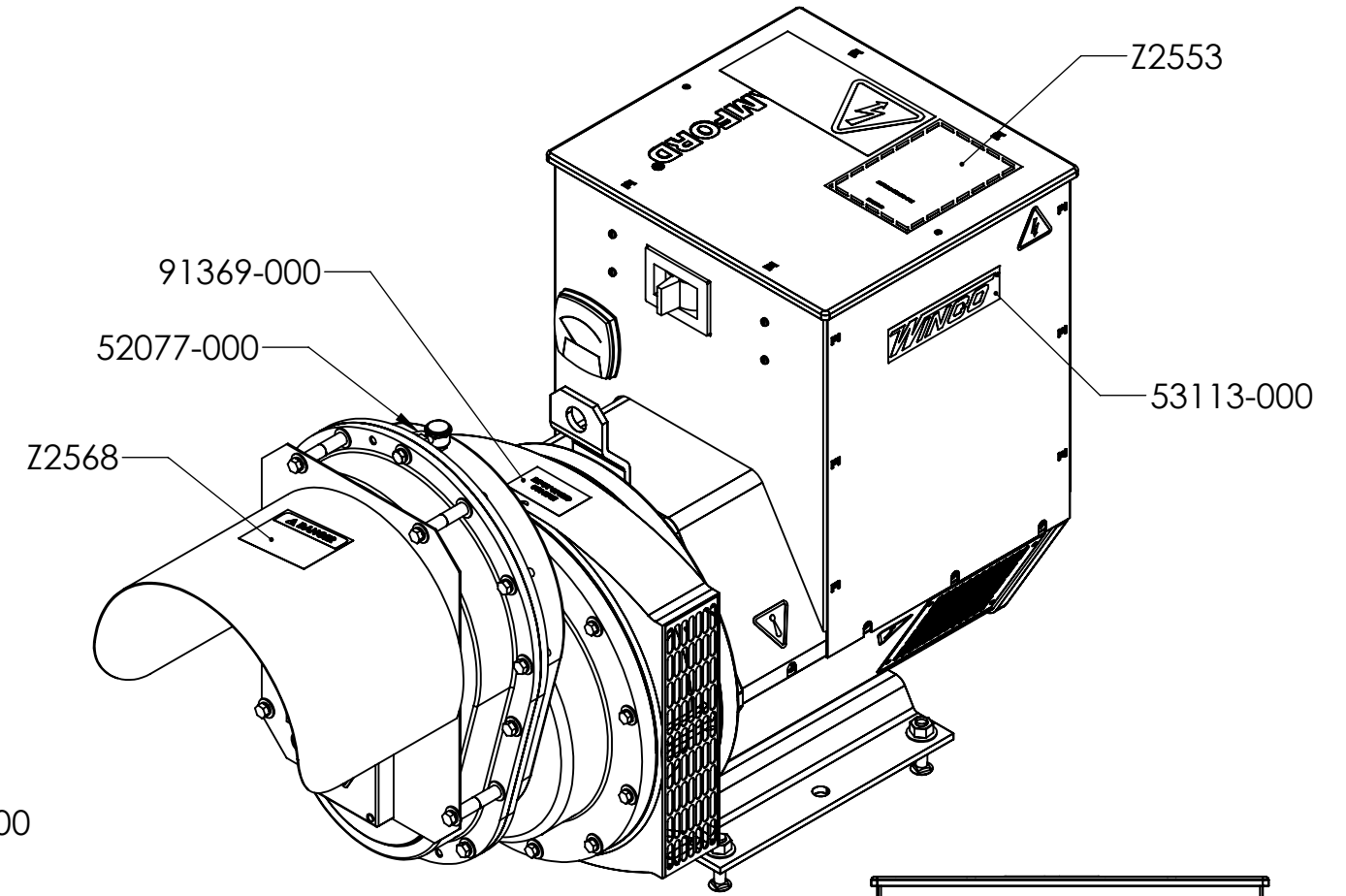
<p>THIS DRAWING CONTAINS PROPRIETARY INFORMATION BELONGING TO WINCO. UNAUTHORIZED USE IS PROHIBITED.</p> <p>ALL DIMENSIONS INCH</p>	DRAWN BY	DATE	CHK'D BY	DATE	ENG APPR.	DATE
	SJM	3/3/2017			DRC	4/11/2017
	TOLERANCE:	+/- 0.0625 DECIMAL		TITLE: COMPLETE UNIT ASSEMBLY		
	MODEL:	W75PTO		PART: 64864-013		
			1 of 3			

REVISIONS					
REV.	IRN	DESCRIPTION	DATE	BY	APP'D
A	P275	ORIGINAL	3/17/2017	SJM	DRC



 <small>THIS DRAWING CONTAINS PROPRIETARY INFORMATION BELONGING TO WINCO. UNAUTHORIZED USE IS PROHIBITED</small>	DRAWN BY	DATE	CHK'D BY	DATE	ENG APPR.	DATE
	TOLERANCE:	SJM	3/3/2017			DRC
WEIGHT:	+/- 0.25" (UNLESS SPECIFIED)		<b>TITLE:</b> COMPLETE UNIT ASSEMBLY			
MATERIAL:	190.20	LBS				
MODEL:	SEE TABLE					
		PART:	64864-013	2 of 3		

REVISIONS					
REV.	IRN	DESCRIPTION	DATE	BY	APP'D
A	P275	ORIGINAL	3/17/2017	SJM	DRC



APPLY DECAL SET THAT IS INCLUDED WITH GENERATOR AS INSTRUCTED ON BACK SIDE OF DECALS

 THIS DRAWING CONTAINS PROPRIETARY INFORMATION BELONGING TO WINCO. UNAUTHORIZED USE IS PROHIBITED	DRAWN BY SJM	DATE 3/3/2017	CHK'D BY	DATE	ENG APPR. DRC	DATE 4/11/2017
	TOLERANCE: +/- 0.25" (UNLESS SPECIFIED)	WEIGHT: 190.20 LBS	TITLE: COMPLETE UNIT ASSEMBLY			
	MATERIAL: SEE TABLE	MODEL: W75PTO	PART: 64864-013			
			3 of 3			