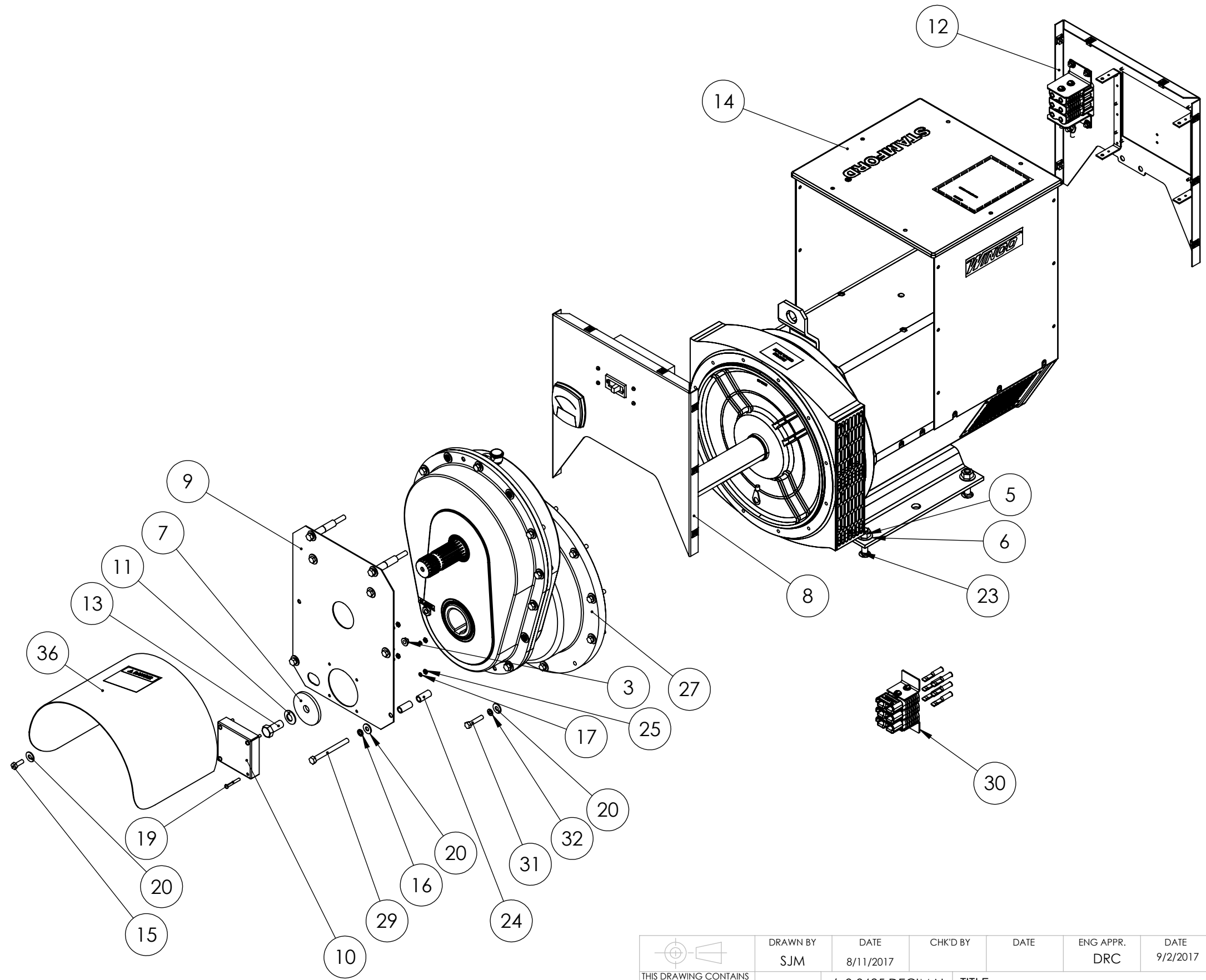


810-89849

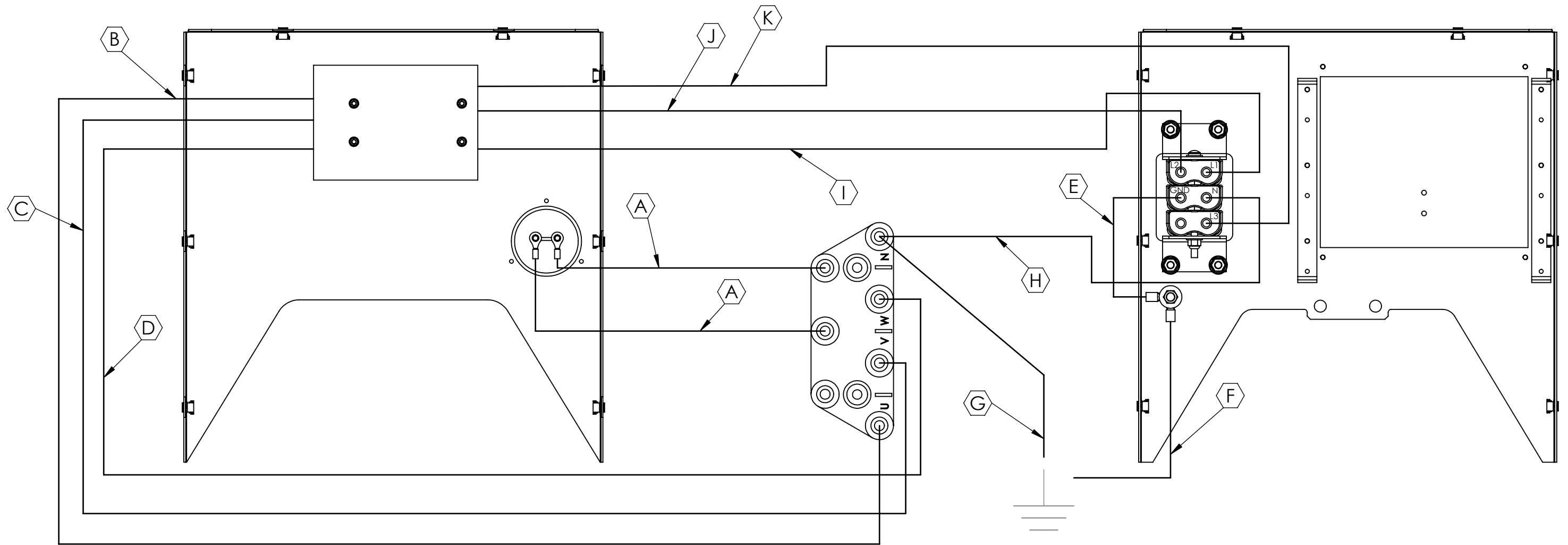
REVISIONS					
REV.	IRN	DESCRIPTION	DATE	BY	APP'D
A	P292	ORIGINAL	8/11/2017	SJM	DRC

ITEM NO.	PartNo	DESCRIPTION	QTY.
1	15209-003	UL-DECAL ELECTRICAL SHOCK CAN KILL	1
2	15750-001	GROUND DECAL	1
3	16249-000	.3125-18 FLANGE	4
4	16303-000	DECAL-OIL LEVEL	1
5	1744-000	NUT HEX 1/2-13	4
6	21867-000	FLAT WASHER	4
7	300096	WASHER SHAFT	1
8	300101-23	MAIN LINE CIRCUIT BREAKER PANEL ASSEMBLY	1
9	300104	SUPPORT, PTO GUARD	1
10	300105	GUARD, LOWER SHAFT	1
11	300106-1	WASHER BLVL	1
12	300113-17	FRONT PANEL ASSEMBLY	1
13	350096-35	HHCS M16-2.0 X 35MM GR10.9	1
14	351810-5	GEN.END, UC1224G, 2-BRG., WDG311	1
15	465-000	.3125-18X.875 HHB	4
16	481-000	LOCK 3/8 SPLIT	4
17	484-000	LOCKWASHER #10 SPLIT	4
18	52077-000	DECAL-CAUTION OIL LEVEL	1
19	52464-002	RHMS 10-32X1.5	4
20	526-000	WASHER ID .375 OD .890	20
21	53113-002	WINCO DECAL	2
22	60706-160	OPERATORS MANUAL	1
23	61603-005	BOLT CRG 1/2-13 X 2.5" ZINC	4
24	62825-004	SPACER	8
25	6372-000	#10-32 HEX NUT	4
26	63966-007	KIT, NAMEPLATE WINCO PTO	1
27	91099-003	GEARCASE ASSEMBLY	1
28	91369-000	DECAL- 540 RPM	1
29	91658-015	.375-16X4 HHB	4
30	91861-002	PLUG KIT	1
31	96002-040	M8-1.25X40MM	12
32	97436-008	LOCKWASHER M8	12
36	S7606	PTO GUARD	1
37	Z25273	DECAL, LOAD CONNECTIONS - 3PH 6 CAVITY	1
38	Z2553	DECAL-OPERATOR INSTRUCTIONS	1
39	Z2568	DECAL-DANGER PTO	1





 THIS DRAWING CONTAINS PROPRIETARY INFORMATION BELONGING TO WINCO. UNAUTHORIZED USE IS PROHIBITED. ALL DIMENSIONS INCH	DRAWN BY	DATE	CHK'D BY	DATE	ENG APPR.	DATE
	SJM	8/11/2017			DRC	9/2/2017
	TOLERANCE:	+/- 0.0625 DECIMAL		TITLE:		
	MODEL:	+/- 1 DEG ANGULAR		COMPLETE UNIT ASSEMBLY		
					PART:	64868-018
						1 of 3

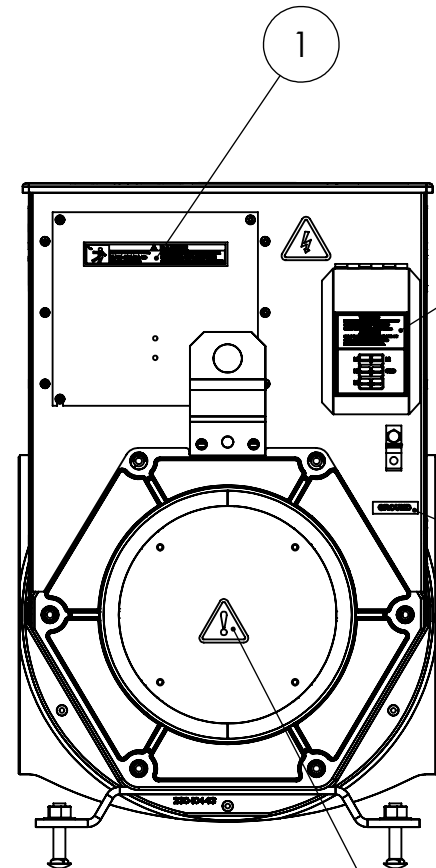
REVISIONS					
REV.	IRN	DESCRIPTION	DATE	BY	APP'D
A	P292	ORIGINAL	8/11/2017	SJM	DRC



CONNECT GENERATOR FOR 480V 3-PH CONNECTION.

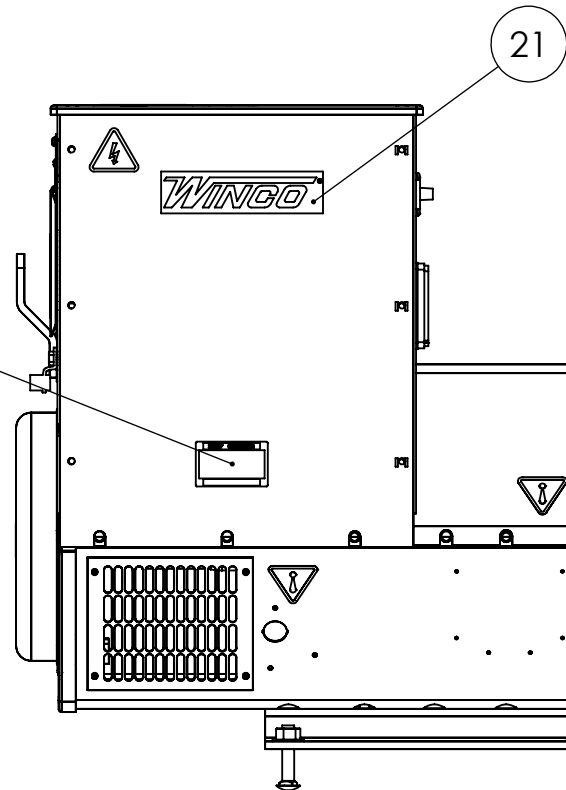
 THIS DRAWING CONTAINS PROPRIETARY INFORMATION BELONGING TO WINCO. UNAUTHORIZED USE IS PROHIBITED.	DRAWN BY	DATE	CHK'D BY	DATE	ENG APPR.	DATE
	SJM	8/11/2017			DRC	9/2/2017
	TOLERANCE:	+/- 0.25" (UNLESS SPECIFIED)		TITLE:		
	WEIGHT:	1065.06	LBS	COMPLETE UNIT ASSEMBLY		
MATERIAL:	SEE TABLE					
MODEL:	W85PTOS-18/A					
		PART:	64868-018	2 of 3		

REVISIONS					
REV.	IRN	DESCRIPTION	DATE	BY	APP'D
A	P292	ORIGINAL	8/11/2017	SJM	DRC



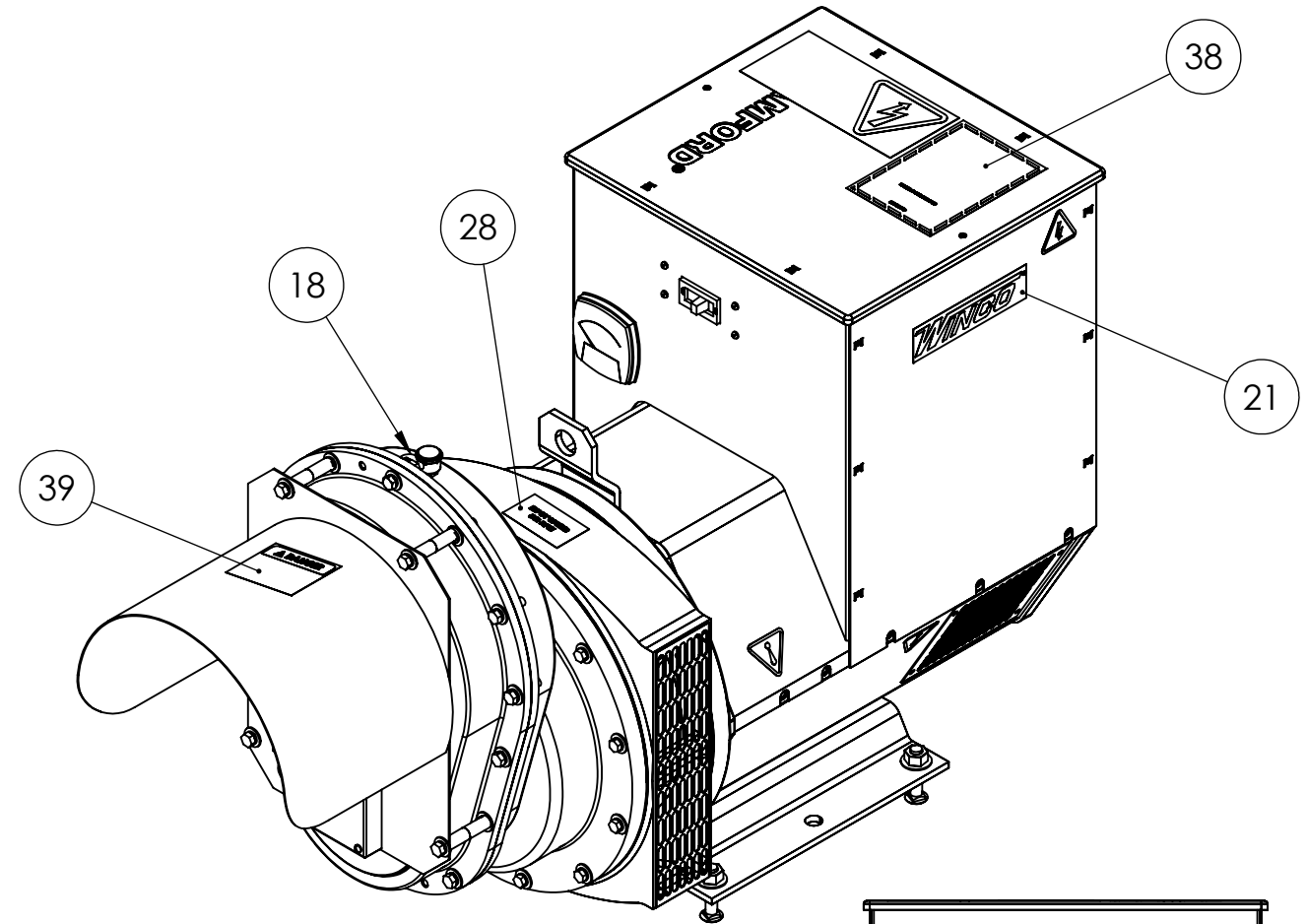
37

2



21

26



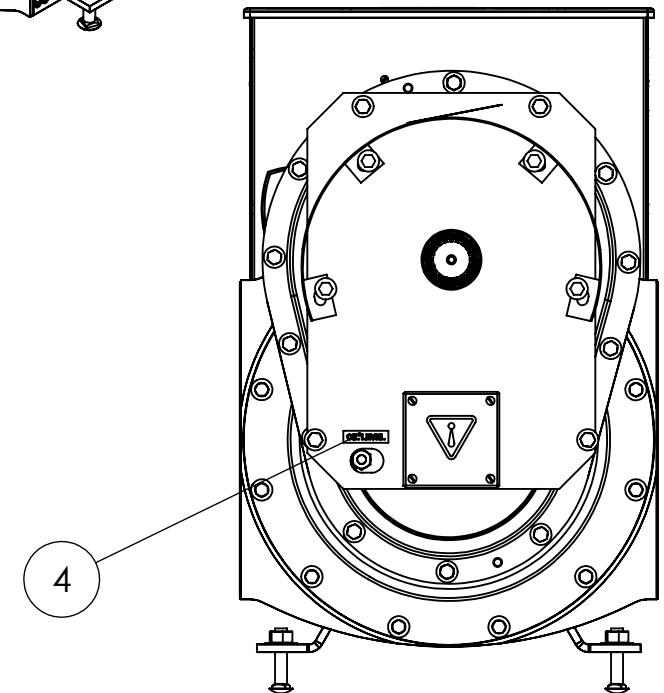
18

28

38



21

39



4

APPLY DECAL SET THAT IS INCLUDED WITH GENERATOR AS INSTRUCTED ON BACK SIDE OF DECALS

 THIS DRAWING CONTAINS PROPRIETARY INFORMATION BELONGING TO WINCO. UNAUTHORIZED USE IS PROHIBITED	DRAWN BY SJM	DATE 8/11/2017	CHK'D BY [Blank]	DATE [Blank]	ENG APPR. DRC	DATE 9/2/2017
	TOLERANCE: +/- 0.25" (UNLESS SPECIFIED)		WEIGHT: 1065.06 LBS		TITLE: COMPLETE UNIT ASSEMBLY	
	MATERIAL: SEE TABLE		MODEL: W85PTOS-18/A		PART: 64868-018	
			PART: 64868-018		3 of 3	