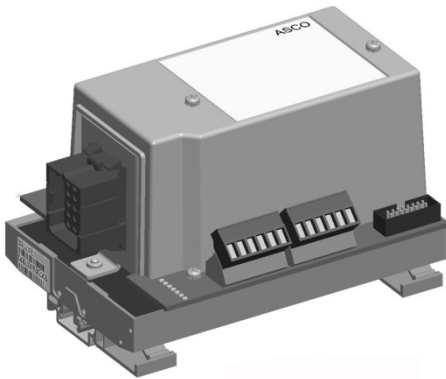


Accessory 18RX Kit 935148 Kit Installation

ASCO® Series 300 Transfer Switches with a Group G Controller



Overview

These kit instructions explain how to install accessory 18RX Kit 935148 on Series 300 transfer switches with a Group G Controller.

Accessory 18RX is a relay expansion module. Up to two modules can be added. One is already provided on 3ADTS and 3NDTS switches. On these switches the module provides the necessary interface between the controller and dual-operator transfer switches.

This module also provides some commonly used accessory relays to signal normal and emergency source availability. Option Relays OP2 and OP3 can be configured to provide functions such as, load disconnect control (Feature 31), engine start signaling (NR2), and various common alarms. Refer to the wiring diagram and to **User's Guide 381333-400** for information.

Kit Contents

The accessory 18RX kit includes these items:

- 18RX relay expansion module
- DIN rail
- shake-proof hex nuts (for mounting the DIN rail)
- ribbon cable (to controller or another accessory)

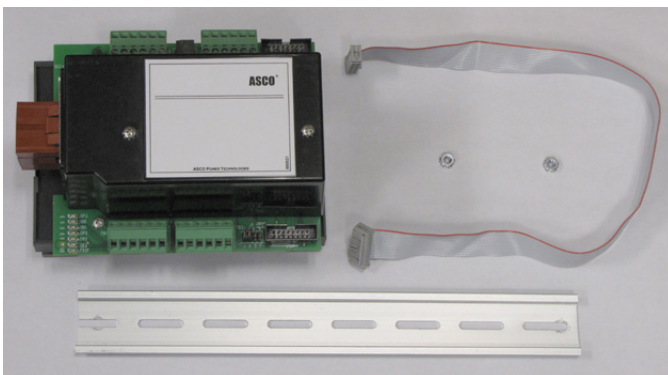


Figure 1. Accessory 18RX module kit.

⚠ DANGER

Hazardous voltage capable of causing shock, burns, or death is used in this transfer switch. Deenergize both normal and emergency power sources before installing the kit.

Installation

1. Deenergize the transfer switch. Then open the enclosure door and verify that all power is off.
2. Mount the DIN rail onto two short studs (on the door) below the controller. If a DIN rail is already installed it may have room for the 18RX module. See Figures 1 and 2.
3. Install the 18RX module onto the DIN rail (left side). Hook the top of the module onto the DIN rail and rock it downward until it snaps in place.
4. Connect the ribbon cable by following a. or b. below:
 - a. If an 18RX module is already installed; connect the ribbon cable between the existing 18RX module (J12A) and the 18RX module being installed (J12B).

Note: If an Acc. 1UP module is installed and connected to the existing 18RX module, unplug it from the existing 18RX module and reconnect it to the 18RX module being installed (J12A).
 - b. If an 18RX module is not already installed; connect the ribbon cable between the 18RX module (J12A) and the controller (J3).

Note: If an Acc. 1UP module is installed and connected to the controller, unplug it from the controller and reconnect it to the 18RX module (J12A).
5. Refer to transfer switch wiring diagram for connections and rating of OP2 and OP3 contacts.
6. After installation and all wiring has been completed, close the enclosure door. Reenergize the transfer switch.
7. Refer to **User's Guide 381333-400** for further information on this accessory.

(continued on the next page)

381339-316

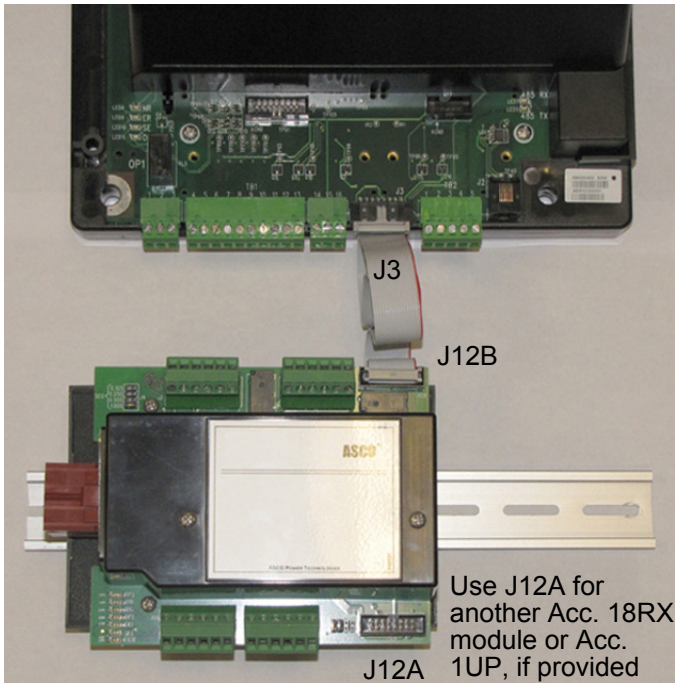


Figure 2. Ribbon cable connections (J3, J12B).

NOTES

Only two Accessory 18RX modules can be installed.

To release the module from the DIN rail carefully pry up the bottom support legs (left and right) together until it releases.

Accessory 18RX Kit Installation Record

Accessory 18RX Kit Number _____

Installation Date _____

Transfer Switch Serial Number _____

Transfer Switch Catalog Number _____

Installer's Name _____

Installer's Company _____

Customer Name _____

Customer Company _____

