

# MYERS® CT Series General Purpose Centrifugal Pumps

The CT Series have a rugged cast iron construction and can be coupled with either a corrosion resistant Noryl, or a lead-free brass impeller.

## APPLICATIONS

■ **Water systems and sprinkling...** for homes, farms and industry.

## SPECIFICATIONS

**Body and Seal Plate** – Close-grained cast iron

**Base** – Steel 10 gauge

**Impeller Types** – Noryl® and brass

**Shaft** – 416 stainless steel

**Mechanical Seal** – Carbon/ceramic, Buna-N

## FEATURES

■ **1/2 through 2-1/2 HP** – High head models, with heavy-duty motors, easy service design and four-position discharge.

■ **Drain Port** – Provided for easy winterizing.

■ **High Head** – Up to 140' of head with capacities to 90 GPM.

■ **Easy Serviceability** – All models include replaceable wear ring and feature back pull-out design.

■ **Noryl® Impellers** – Abrasion-resistant for normal applications with working temperatures to 140°F.

■ **Silicon Bronze Impellers** – Pumps equipped with shaft seals rated for temperatures to 225°F.

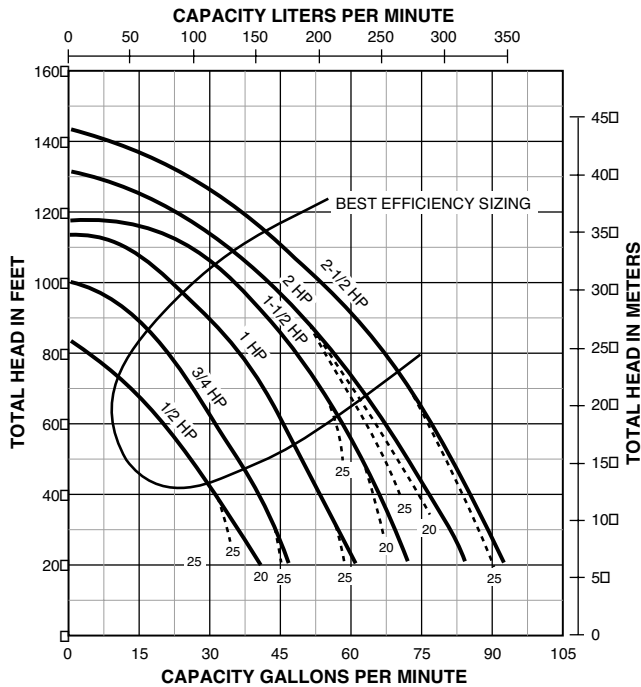


## ORDERING INFORMATION

Catalog Number	HP	Suction	Discharge	Impeller Material	Phase
CTJ05	1/2	1-1/4"	1"	Composite	1
CTJ053		1-1/4"	1"	Composite	3
CTJ05B		1-1/4"	1"	Brass	1
CTJ05B3		1-1/4"	1"	Brass	3
CTJ07	3/4	1-1/4"	1"	Composite	1
CTJ073		1-1/4"	1"	Composite	3
CTJ07B		1-1/4"	1"	Brass	1
CTJ07B3		1-1/4"	1"	Brass	3
CTJ10	1	1-1/4"	1"	Composite	1
CTJ103		1-1/4"	1"	Composite	3
CTJ10B		1-1/4"	1"	Brass	1
CTJ10B3		1-1/4"	1"	Brass	3
CTJ15	1-1/2	1-1/4"	1"	Composite	1
CTJ153		1-1/4"	1"	Composite	3
CTJ15B		1-1/4"	1"	Brass	1
CTJ15B3		1-1/4"	1"	Brass	3
CTJ20	2	1-1/2"	1-1/2"	Composite	1
CTJ203		1-1/2"	1-1/2"	Composite	3
CTJ20B		1-1/2"	1-1/2"	Brass	1
CTJ20B3		1-1/2"	1-1/2"	Brass	3
CTJ25	2-1/2	2"	1-1/2"	Composite	1
CTJ253		2"	1-1/2"	Composite	3
CTJ25B		2"	1-1/2"	Brass	1
CTJ25B3		2"	1-1/2"	Brass	3

# MYERS® CT Series General Purpose Centrifugal Pumps

## PUMP PERFORMANCE [Capacity in Gallons Per Minute]

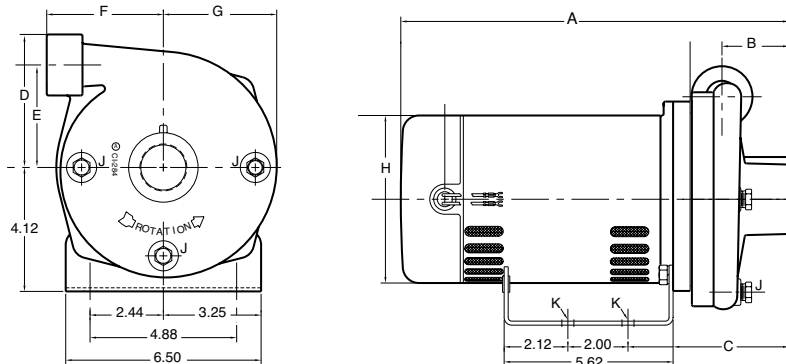


HP	Discharge Pressure		Dynamic Suction Lift				
	PSI	Feet Head	5'	10'	15'	20'	25'
1/2	10	23.1	—	34	32	29	26
	20	46.2	25	21	18	15	11
	30	69.3	10	—	—	—	—
3/4	10	23.1	—	—	42	39	37
	20	46.2	35	32	30	28	26
	30	69.3	24	22	19	15	10
1	20	46.2	48	46	45	43	40
	30	69.3	38	35	31	28	25
	40	92.4	23	20	15	—	—
1-1/2	20	46.2	62	60	58	55	52
	30	69.3	50	48	44	40	37
	40	92.4	37	32	29	22	—
2	30	69.3	60	57	52	59	45
	40	92.4	45	40	36	31	24
	50	115.5	22	15	—	—	—
2-1/2	20	46.2	81	79	76	74	71
	30	69.3	69	67	63	60	56
	40	92.4	56	51	47	44	38
	50	115.5	33	30	22	15	—

Tested and rated in accordance with Water Systems Council Standards.

NOTE: Pumps installed with a Pro-Source® tank require a 100 PSI relief valve. Pumps with a conventional tank require a 75 PSI relief valve. Relief valve must be capable of relieving entire flow of pump at relief pressure.

## OUTLINE DIMENSIONS



Dimensions (in inches) are for estimating purposes only.

## DIMENSIONS (In Inches)

HP	NPT Suct.	NPT Disch.	A		B	C	D	E	F	G	H	NPT J	K
			(1 Phase)	(3 Phase)									
1/2	1-1/4	1	11-21/32	13-3/8	2-1/16	5-9/16	4-1/2	3-7/16	3-7/8	3-15/16	5-5/8	1/4	3/8 Dia.
3/4	1-1/4	1	11-25/32	13-3/8	2-1/16	5-9/16	4-1/2	3-7/16	3-7/8	3-15/16	5-5/8	1/4	3/8 Dia.
1	1-1/4	1	12-25/32	13-7/8	2-1/16	5-9/16	4-1/2	3-7/16	3-7/8	3-15/16	5-5/8	1/4	3/8 Dia.
1-1/2	1-1/4	1	13-39/64	14-3/8	2-1/16	5-9/16	4-1/2	3-7/16	3-7/8	3-15/16	5-5/8	1/4	3/8 Dia.
2	1-1/2	1-1/4	16-3/4	16-15/16	2-13/16	6-5/16	4-27/32	3-13/32	4-5/8	4	6-7/16	1/4	3/8 Dia.
2-1/2	2	1-1/2	17-3/4	17-1/4	2-13/16	6-5/16	4-27/32	3-13/32	4-5/8	4	6-7/16	1/4	3/8 Dia.



USA 293 WRIGHT STREET, DELAVAN, WI 53115 WWW.FEMYERS.COM PH: 888-987-8677 ORDERS FAX: 800-426-9446  
 CANADA 490 PINEBUSH ROAD, UNIT 4, CAMBRIDGE, ONTARIO, N1T 0A5 PH: 800-363-7867 ORDERS FAX: 888-606-5484  
 Because we are continuously improving our products and services, Pentair reserves the right to change specifications without prior notice.