

SOME LIKE IT HOT



fahrenheit

HEAT TOLERANT VRLA BATTERIES

HT30

- Helios™ Additive reduces float current up to 75% enhancing high temperature life
- Microcat® Catalyst lowers float current, mitigates thermal buildup and cell dryout
- Exclusive IPF® Technology optimizes power capacity, cell consistency, and long-term reliability
- TempX™ Alloy inhibits corrosion under the highest temperature extremes
- Advanced AGM technology for superior power
- Puncture resistant micro-porous glass mat separators extend life
- Reinforced case resists bulging and meets safety requirements (UL 94 V-0)
- Case & cover heat sealed and 100% tested to prevent leaks
- Epoxy-sealed posts eliminate leaks
- Flame arresting, low pressure, self-sealing valves are 100% factory tested
- Computer-aided design and manufacturing control processes and standards to ensure quality products
- All batteries meet or exceed IEEE recommended practices
- Battery design and construction meet UL recognition requirements



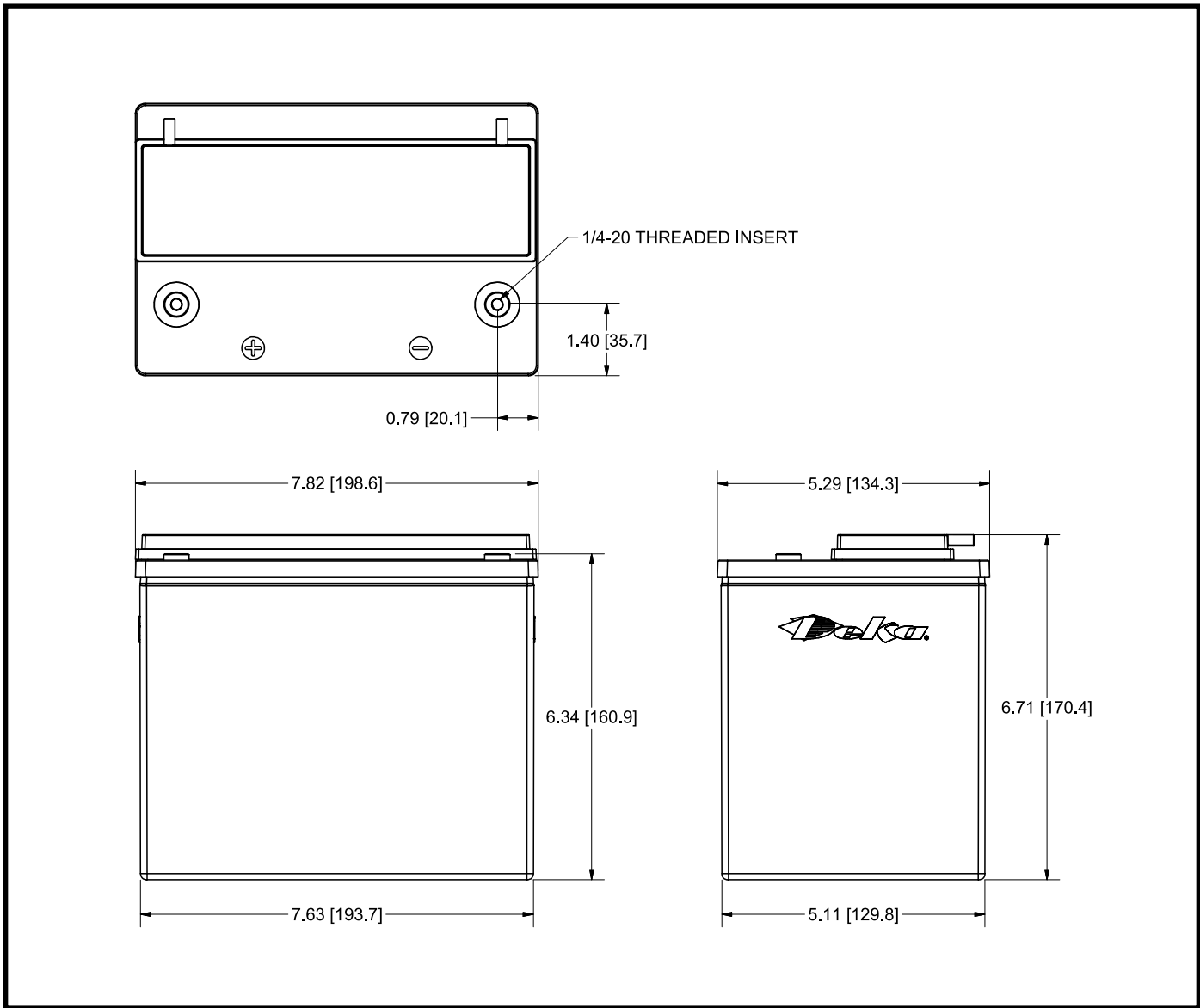
SPECIFICATIONS

Nominal Voltage: 12-Volts	Catalyst: Microcat®
Rating: 28.2 Ampere-Hours @ 8 hr. rate to 1.75 V.P.C.	Safety Vent: Low positive pressure, self-sealing w/ flame arrestor
Positive Plate: >98% Pure lead with tin-calcium alloy	Float Voltage: 2.25 V.P.C. ± 0.01 V.P.C. @ 77°F (25°C) Range: (13.44V to 13.56V per battery)
Negative Plate: Pure lead, calcium alloy	Design life: 12 years in float applications @ 77°F (25°C)
Post Seal: Epoxy-sealed	Dimensions: Length - 7.82" (199 mm) Width - 5.29" (134.3 mm) Height - 6.71" (170 mm)
Terminal: Front access, 1/4" – 20 threaded insert	Weight: 26 lbs. (12 kg)
Case/Cover: Flame-retardant, polypropylene – UL 94 V-0/>28% L.O.I.	

DISCHARGE RATINGS IN AMPS @ 77°F (25°C)†

Volts per Cell (V.P.C.)	1 HR.	2 HR.	3 HR.	4 HR.	5 HR.	8 HR.	12 HR.	20 HR.	24 HR.
1.75	22.9	12.5	8.7	6.7	5.5	3.5	2.4	1.5	1.2
1.80	22.3	12.2	8.6	6.6	5.4	3.5	2.4	1.4	1.2
1.85	20.9	11.6	8.2	6.3	5.2	3.3	2.3	1.4	1.2
1.88	19.3	10.9	7.7	6.0	4.9	3.2	2.2	1.3	1.1
1.90	18.1	10.3	7.3	5.7	4.7	3.0	2.1	1.3	1.1

†Subject to change without notice.



INSTALLATION AND OPERATING INSTRUCTIONS

• <http://www.eastpennmanufacturing.com/wp-content/uploads/Fahrenheit-IO-Manual-2100.pdf>



www.dekabatteries.com



East Penn Manufacturing Co. Lyon Station, PA 19536-0147 Phone: 610-682-3263 Fax: 610-682-0891 e-mail: reservepowersales@dekabatteries.com

E.P.M. Form No. 2417 10/18 © 2018 by EPM Printed in U.S.A.

All data subject to change without notice. No part of this document may be copied or reproduced, electronically or mechanically, without written permission from the company.