

# METER-RITE®

Grade-Level Double-Throw Switch  
 Catalog No. 7103  
 240 Vac, 100 Amp, Single Phase  
 Type 3R Rainproof Enclosure



SCHEMATIC FOR CAT. NO.  
 7103

RONK ELECTRICAL INDUSTRIES, INC.  
 NOKOMIS, ILLINOIS

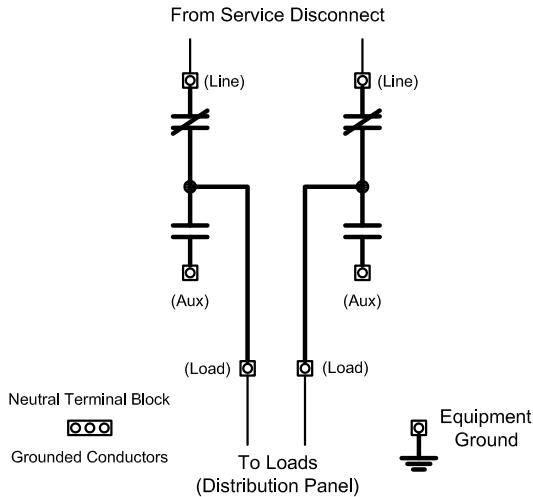
Scale	NONE	Drawing Number <b>2-4863</b>
Drawn	GMW	
Date	12/02/13	
Approved	NCL	

This Double-Throw Switch can be installed in several different locations, depending upon the load it is to supply. If the Auxiliary Power Source is to supply power to the complete system, then the switch should be installed between the service disconnect and the distribution panel. ( See Example #1).

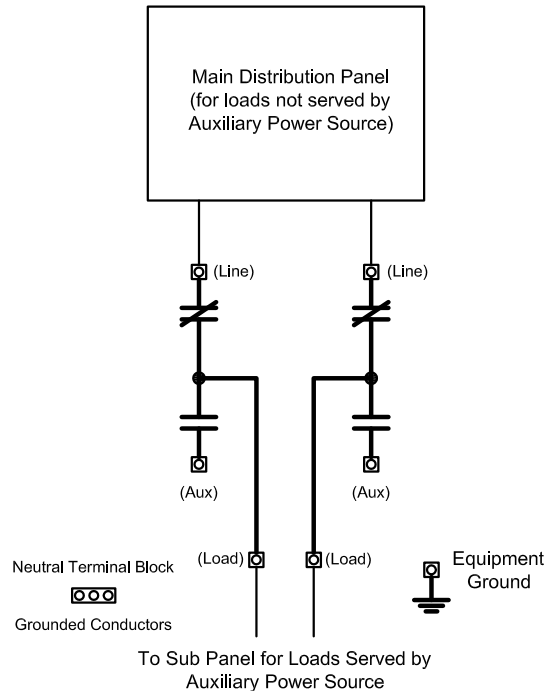
**NOTE:** Some authorities having jurisdiction and/or power suppliers will allow the Double-Throw Switch to be placed ahead of the Service Disconnect under certain conditions. **CAUTION:** In these cases always be certain that available fault current will not exceed 10,000 amperes (RMS symmetrical).

In applications where the Auxiliary Power Source cannot supply enough power to operate all the loads, a sub-panel may be added to the system. The loads that need to be operated from the Auxiliary Power Source are then connected to a sub-panel. For this type of installation, the Double-Throw Switch can be installed between the main distribution panel and the sub-panel. (See Example #2)

Example #1



Example #2



USE COPPER OR ALUMINUM WIRE RATED 60°C OR 75°C.

LOCATE OPENINGS FOR CONDUIT BELOW OPERATING HANDLE UNLESS LIQUID TIGHT HARDWARE IS UTILIZED.

**WARNING: ALL ADJUSTMENTS ON SWITCH HAVE BEEN MADE AT FACTORY AND MUST NOT BE CHANGED IN FIELD.**

SWITCH CATALOG NUMBER	CUSTOMER CONNECTIONS			
	LINE LUGS	AUX LUGS	LOAD LUGS	NEUTRAL
7103	1/0 - #14 CU-AL (1-HOLE LUG)	1/0 - #14 CU-AL (1-HOLE LUG)	1/0 - #14 CU-AL (1-HOLE LUG)	1/0 - #14 CU-AL (3-HOLE LUG)

AWG OR CIRCULAR MILL SIZE	TIGHTENING TORQUE
	SCREWDRIVER (IN-LB)
14	35
12	35
10	35
8	40
6	45
4	45
2	50
1	50
1/0	50

Revision Description  
 RE-DRAWN FOR CAD.

Rev	CN	Date	BY	GMW
			<b>B</b>	