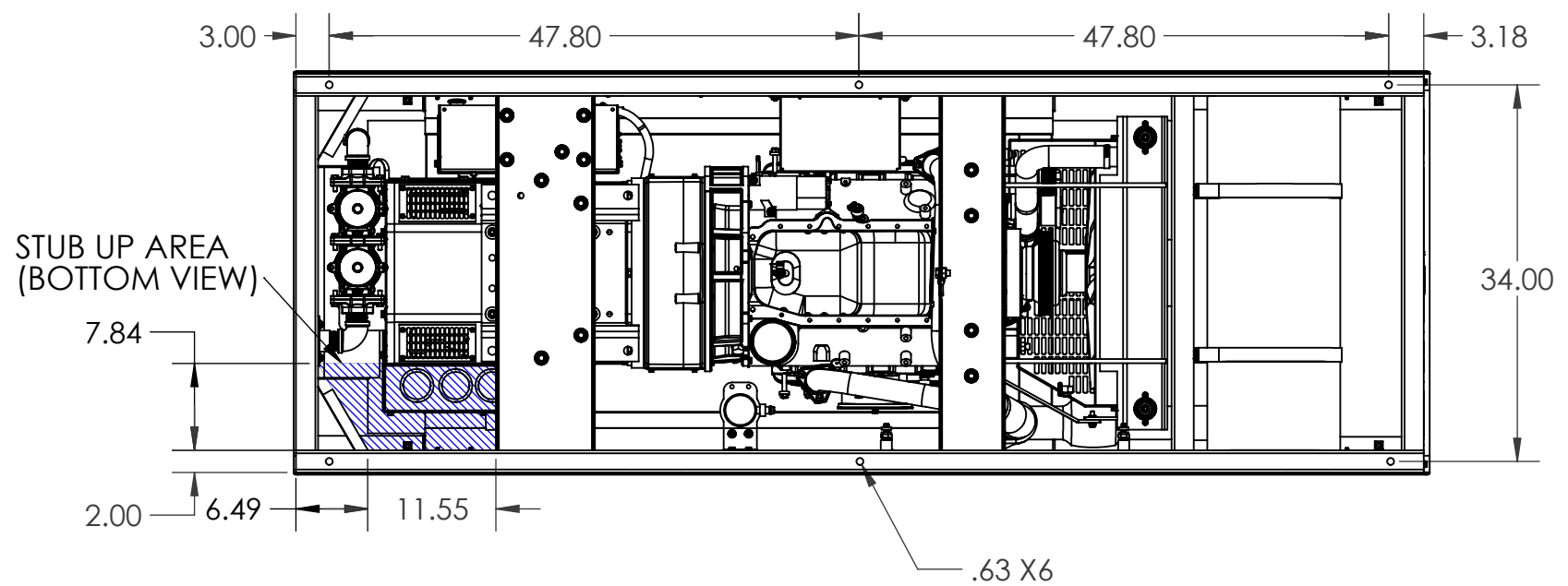
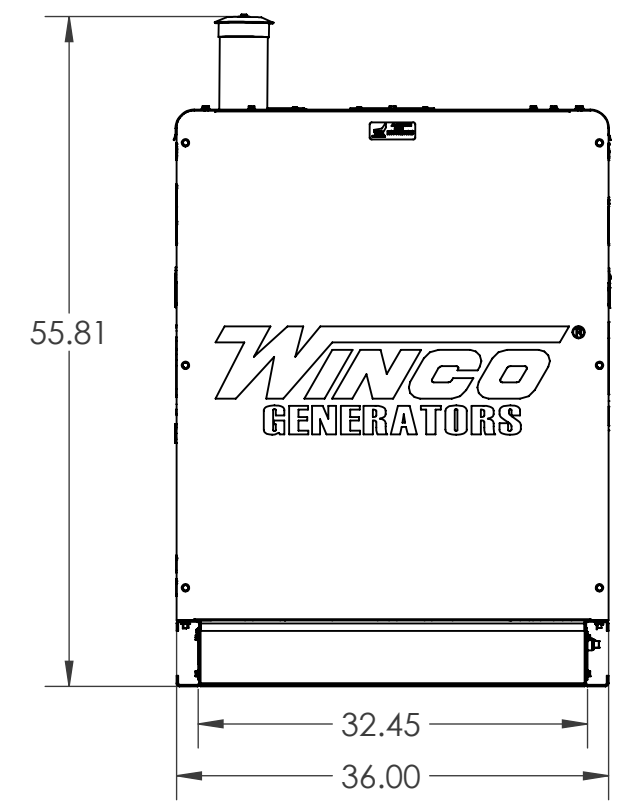
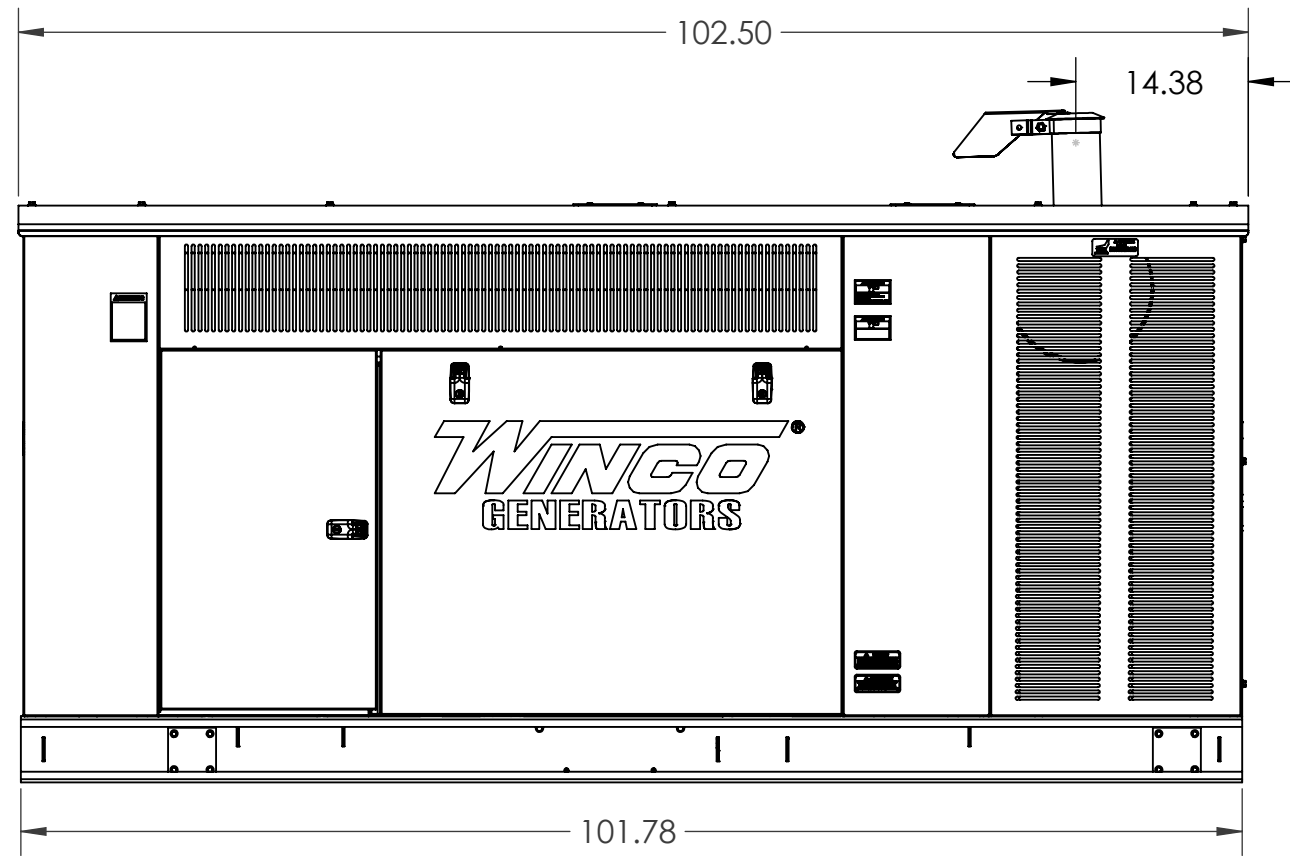
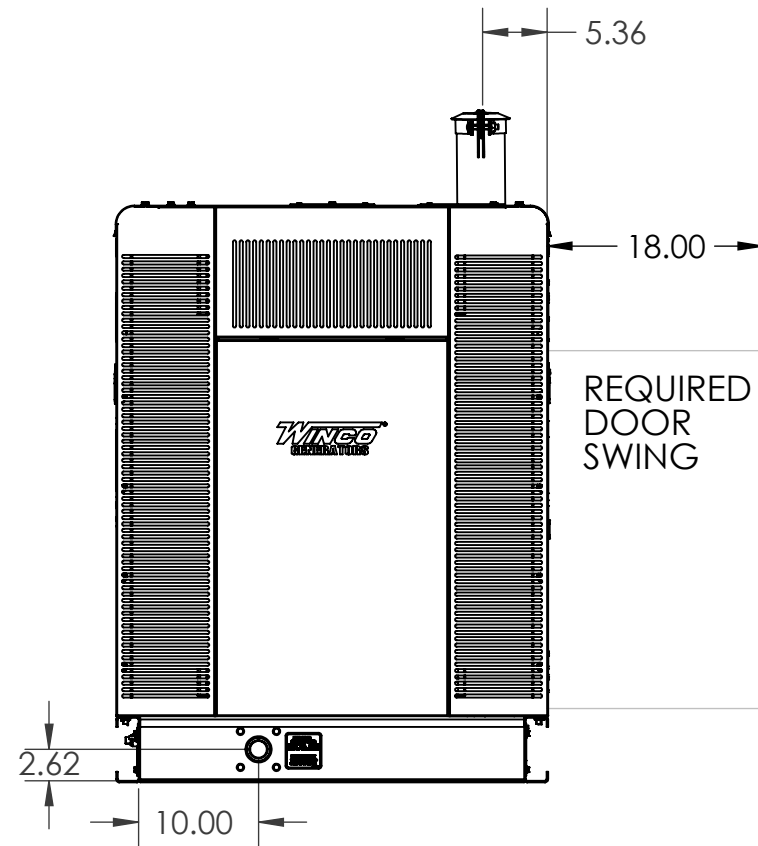


O-517

REVISIONS					
REV.	IRN	DESCRIPTION	DATE	BY	APP'D
A	P259LIT	ORIGINAL	10/2/17	BWZ	DRD

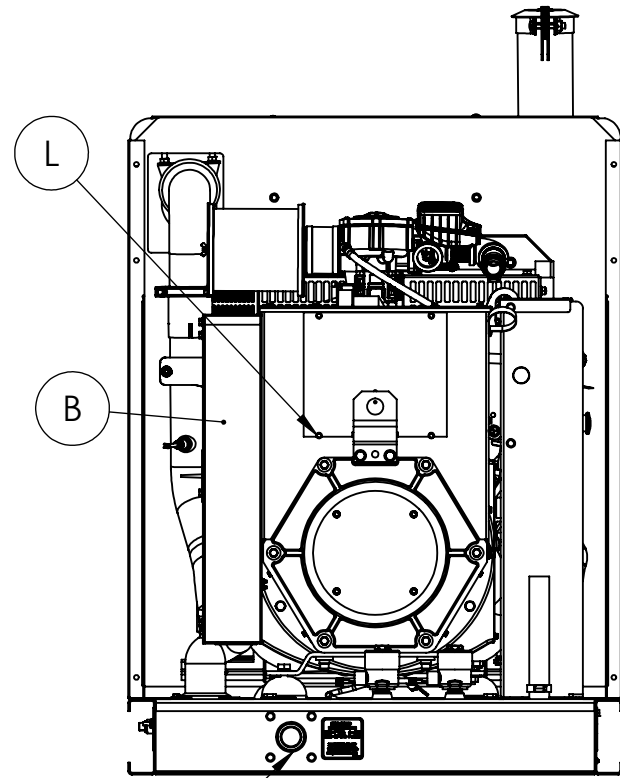


<p>THIS DRAWING CONTAINS PROPRIETARY INFORMATION BELONGING TO WINCO. UNAUTHORIZED USE IS PROHIBITED.</p> <p>ALL DIMENSIONS INCH</p>	DRAWN BY	DATE	CHK'D BY	DATE	ENG APPR.	DATE
	BWZ	10/2/2017			DRD	2/1/18
	TOLERANCE:	+/- 0.0625 DECIMAL		TITLE: PSS60 OUTLINE DRAWING		
	MODEL:	ULPSS60		PART: O-517 1 of 2		

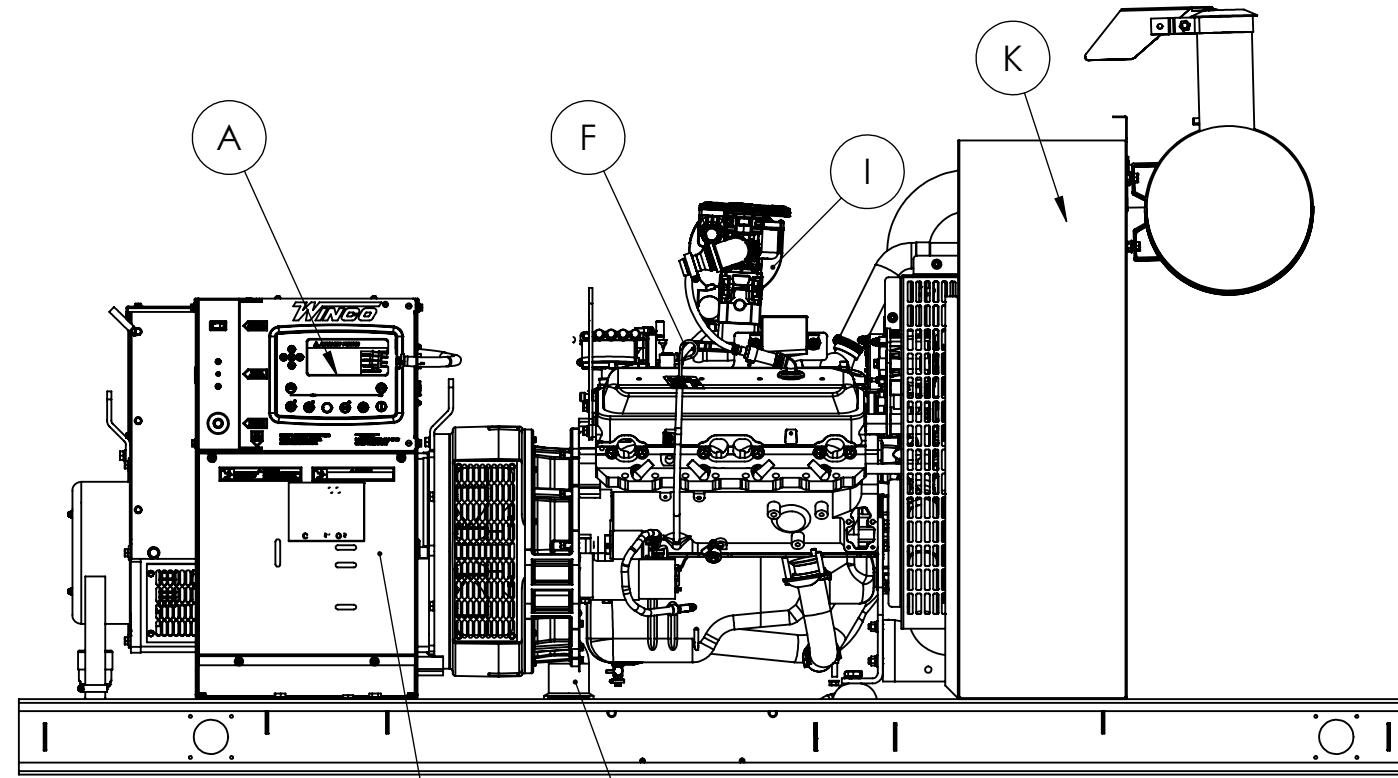


O-517

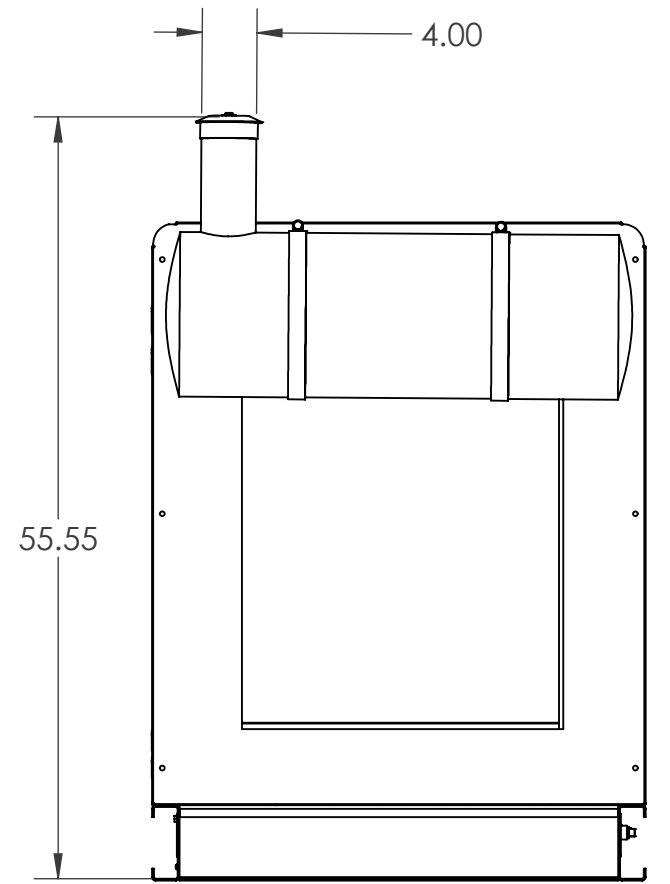
REVISIONS					
REV.	IRN	DESCRIPTION	DATE	BY	APP'D
A	P259LIT	ORIGINAL	10/2/17	BWZ	DRD



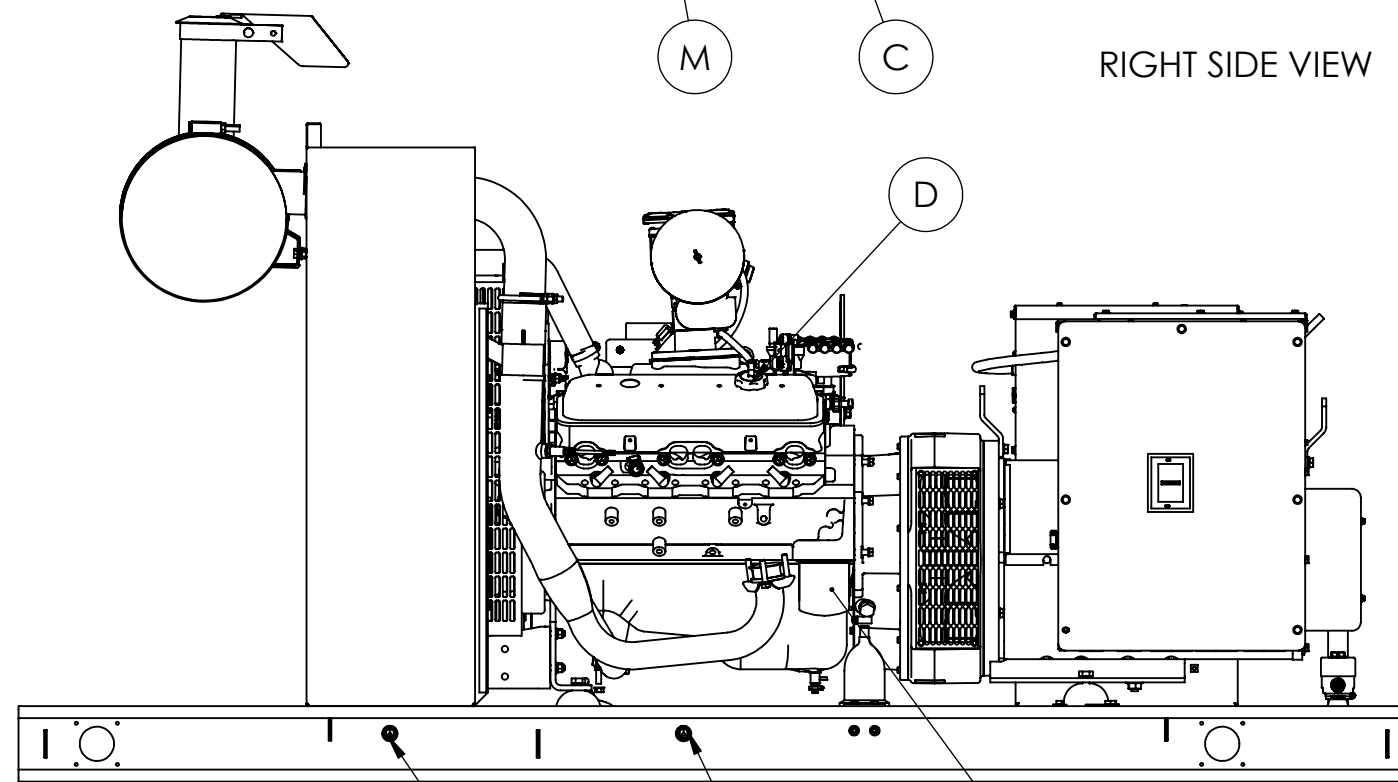
BACK VIEW



RIGHT SIDE VIEW



FRONT VIEW



LEFT SIDE VIEW

KEY COMPONENTS	
A	ENGINE CONTROL
B	MAIN LINE CIRCUIT BREAKER
C	GROUP 24 BATTERY (NOT INCLUDED)
D	OIL FILL
E	OIL DRAIN
F	OIL DIPSTICK
G	OIL FILTER
H	FUEL INLET
I	AIR FILTER
J	COOLANT DRAIN
K	COOLANT FILL
L	AVR
M	BATTERY CHARGER

<p>THIS DRAWING CONTAINS PROPRIETARY INFORMATION BELONGING TO WINCO. UNAUTHORIZED USE IS PROHIBITED</p>	DRAWN BY BWZ	DATE 10/2/2017	CHK'D BY	DATE	ENG APPR. DRD	DATE 2/1/18
	TOLERANCE:	+/- 0.25" (UNLESS SPECIFIED)		TITLE:		
	WEIGHT:	1048.71	LBS	PSS60 OUTLINE DRAWING		
	MATERIAL:	SEE BOM TABLE		PART: O-517		
	MODEL:	ULPSS60		SHT 2		