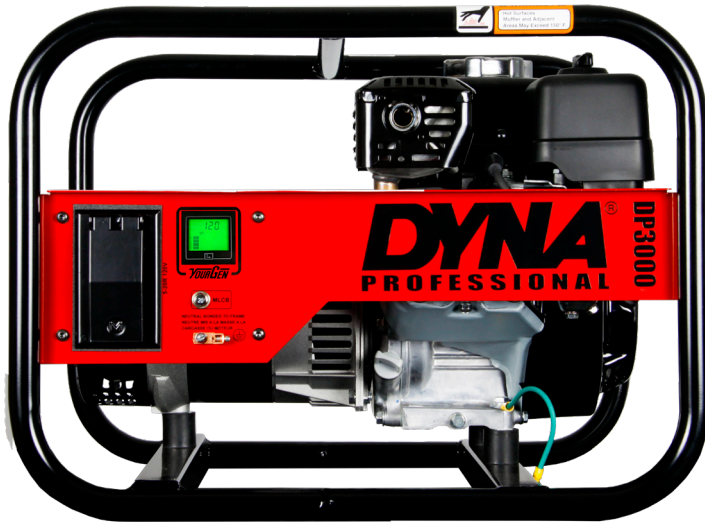


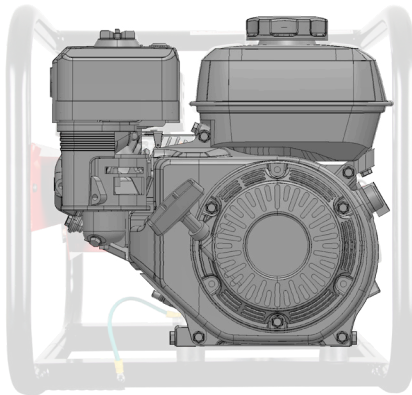
# WINGCO<sup>®</sup> GENERATORS

## DP3000HR 2,500 RUNNING WATTS

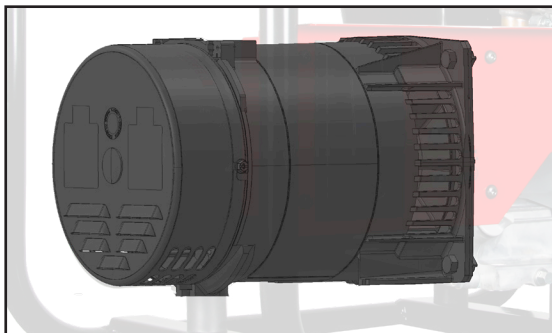
### Rugged Steel Design



### Honda GX160 Engine



### Brushless Industrial Genend. with clean power



### An American Company

We produce our products in our 200,000ft<sup>2</sup> facility located in Le Center, Minnesota, equipped with modern engineering, fabrication and assembly capabilities.



## YOURGEN



### LED Display

Hours, RPMs, voltage, and frequency readings automatically cycle on the display.

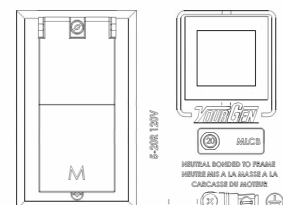
### Load Bars

Easily verify the load balance on each leg of the generator end.

### Warnings

The LED will flash if any parameter gets outside of normal range. A warning will also be displayed when it is time for an oil change.

### Receptacle Panel with GFCI protection



# SPECIFICATIONS

## ENGINE

ENGINE BRAND	HONDA
ENGINE MODEL	GX160
ENGINE STARTER	RECOIL
ENGINE SPEED	3600 RPM
ENGINE CYLINDERS	SINGLE
DISPLACEMENT/TYPE	160 CC / OHV
FREQUENCY REGULATION <sup>(1)</sup>	+/- 3%
LOW OIL PROTECTION	STANDARD
RECOMMENDED OIL <sup>(2)</sup>	10W-30
OIL CAPACITY	0.6 QT
FUEL TANK	1 GAL
FUEL GAUGE	NOT AVAILABLE
FULL LOAD RUN TIME <sup>(3)</sup>	2.2 HOURS
FUEL CONSUMPTION	GAL/HR
100%	0.45
75%	0.37
50%	0.29
25%	0.21

NOTES: (1) Steady state frequency regulation. (2) The recommended oil is for normal applications. See operator's manual for the recommended oil for your needs. (3) Run time is estimated.

## SHIPPING

SHIPPING DIMENSIONS (L x W x H)	23.5" x 17" x 17"
SHIP WEIGHT	104 LBS
FREIGHT CLASS	70

## ELECTRICAL

STARTING WATTS	3,000
RUNNING WATTS	2,500
RUNNING AMPS @ 120 VAC	20.8
VOLTAGE REGULATION	CAPACITOR +/- 5%
MAIN CIRCUIT BREAKER	20 AMP
BONDED NEUTRAL	YES
120 VOLT RECEPTACLES (GFCI)	(1) NEMA 5-20 20A DUPLEX
YOURGEN METER	STANDARD

## DP3000HR

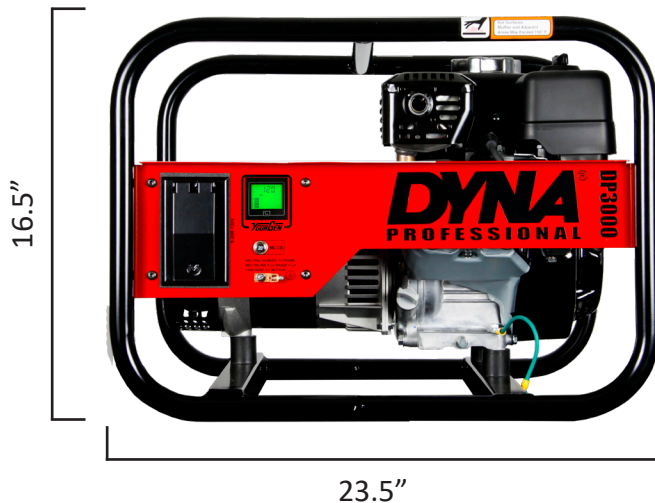
MOTOR STARTING (CODE G)	1 HP
DBA @ 7 METERS	74
TOTAL HARMONIC DISTORTION	< 1%
LIFTING EYE	NOT AVAILABLE
INSULATION	CLASS H
PROTECTIVE ROLL FRAME	1.25" DIA. 14 GA. STEEL

ASSEMBLED IN	USA
EPA APPROVED	YES
CARB APPROVED	YES
TÜV CERTIFICATION	CSA
UNIT WARRANTY <sup>(1)</sup>	3 YEARS

NOTES: (1) For more warranty information, see operator's manual.

## OPTIONAL ACCESSORIES

GENERATOR COVER	29.5" x 22" x 22"
-----------------	-------------------



Specifications are subject to change without notice.

