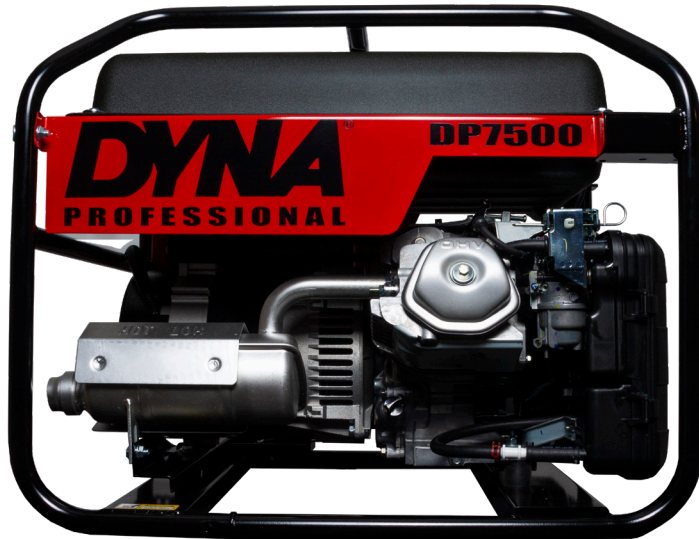


# WINCO<sup>®</sup> GENERATORS

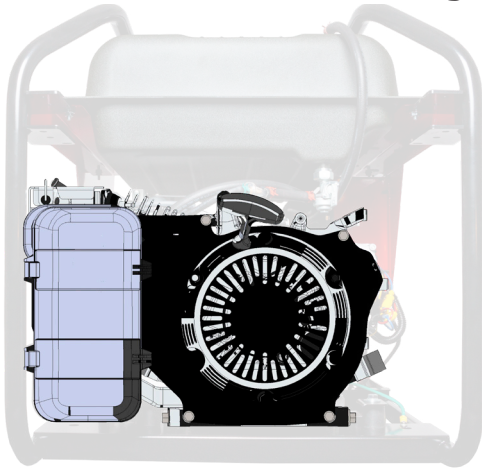
## DP7500-03

6,720 RUNNING WATTS

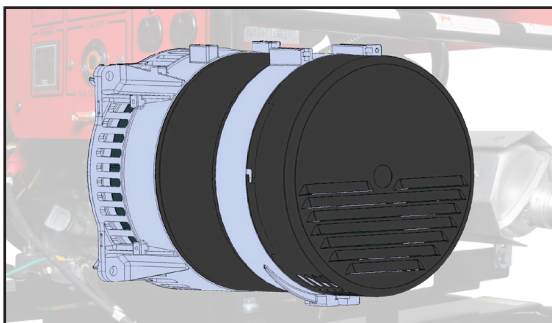
Rugged Steel Design.



Honda GX390 Commercial Engine.



Brushless Industrial Genend.



 An American Company.

We produce our products in our 200,000ft<sup>2</sup> facility located in Le Center, Minnesota, equipped with modern engineering, fabrication and assembly capabilities.



## YOURGEN



LED Display

Hours, RPMs, voltage, and frequency readings automatically cycle on the display.

Load Bars

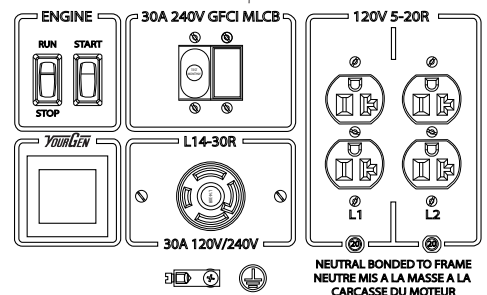
Easily verify the load balance on each leg of the generator end.

Warnings

The LED will flash if any parameter gets outside of normal range. A warning will also be displayed when it is time for an oil change.

Receptacle Panel

with GFCI protection



# SPECIFICATIONS

## ENGINE

|                                     |                  |
|-------------------------------------|------------------|
| ENGINE BRAND                        | HONDA            |
| ENGINE MODEL                        | GX390            |
| ENGINE STARTER                      | RECOIL/ELECTRIC  |
| ENGINE SPEED                        | 3600 RPM         |
| ENGINE CYLINDERS                    | SINGLE           |
| DISPLACEMENT/TYPE                   | 389 CC / OHV     |
| FREQUENCY REGULATION <sup>(1)</sup> | +/- 3%           |
| LOW OIL PROTECTION                  | STANDARD         |
| RECOMMENDED OIL <sup>(2)</sup>      | 10W-30           |
| OIL CAPACITY                        | 1.2 QT           |
| FUEL TANK                           | 8 GAL            |
| FUEL GAUGE                          | ON TANK          |
| FULL LOAD RUN TIME <sup>(3)</sup>   | 8 HOURS          |
| FUEL CONSUMPTION                    | GAL/HR           |
| 100%                                | 1.00             |
| 75%                                 | 0.78             |
| 50%                                 | 0.58             |
| 25%                                 | 0.44             |
| 0%                                  | 0.30             |
| BATTERY SIZE <sup>(4)</sup>         | 12V 18-A 235 CCA |

NOTES: (1) Steady state frequency regulation. (2) The recommended oil is for normal applications. See operator's manual for the recommended oil for your needs. (3) Run time is estimated. (4) Battery not included.

## OPTIONAL ACCESSORIES

|                     |                      |
|---------------------|----------------------|
| TWO-WHEEL DOLLY KIT | WITH FLAT-FREE TIRES |
| COVER               | 34.75" x 25" x 24.5" |
| BATTERY             | 12V 18-A 235 CCA     |
| MAINTENANCE KIT     | 16200-003            |

## ELECTRICAL

|                          |                                 |
|--------------------------|---------------------------------|
| STARTING WATTS           | 7,500                           |
| RUNNING WATTS            | 6,720                           |
| RUNNING AMPS @ 120 VAC   | 56                              |
| RUNNING AMPS @ 240 VAC   | 28                              |
| VOLTAGE REGULATION       | CAPACITOR +/- 5%                |
| MAIN CIRCUIT BREAKER     | 30 AMP, 240V (GFCI)             |
| BONDED NEUTRAL           | YES                             |
| 120 VOLT RECEPTACLES     | (2) NEMA 5-20 20A DUPLEX (GFCI) |
| 120/240 VOLT RECEPTACLES | (1) NEMA L14-30 30A (GFCI)      |
| YOURGEN METER            | STANDARD                        |

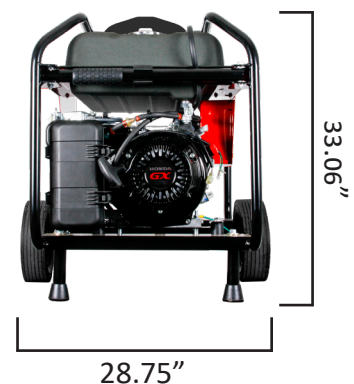
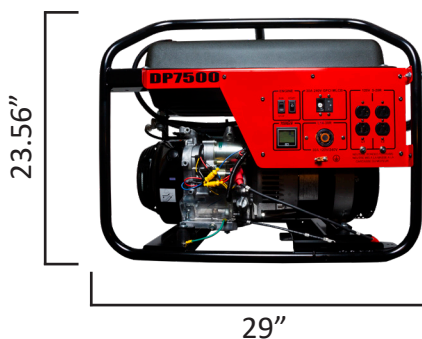
## GENSET

|                              |                         |
|------------------------------|-------------------------|
| MOTOR STARTING (CODE G)      | 2 HP                    |
| DBA @ 7 METERS               | 83.7                    |
| TOTAL HARMONIC DISTORTION    | < 6%                    |
| LIFTING EYE <sup>(1)</sup>   | STANDARD                |
| 2-WHEEL DOLLY KIT            | OPTIONAL                |
| INSULATION                   | CLASS H                 |
| PROTECTIVE ROLL FRAME        | 1.25" DIA. 14 GA. STEEL |
| ASSEMBLED IN                 | USA                     |
| EPA APPROVED                 | YES                     |
| CARB APPROVED                | YES                     |
| TÜV CERTIFICATION            | CSA                     |
| UNIT WARRANTY <sup>(2)</sup> | 3 YEARS COMMERCIAL      |

NOTES: (1) Lifting eye shipped loose. (2) For more generator warranty, see operator's manual.

## SHIPPING

|                                 |                 |
|---------------------------------|-----------------|
| SHIPPING DIMENSIONS (L x W x H) | 30" x 22" x 24" |
| SHIP WEIGHT                     | 210 LBS         |
| FREIGHT CLASS                   | 70              |



Specifications are subject to change without notice.

