

Are you emergency power ready?

The Powertron® Tap Box makes your facility “emergency power ready,” avoiding the clumsy, costly and time consuming process of connecting temporary power. The installation of a Powertron® Tap Box allows you to:



- Establish a quick connection during power outages and load banking
- Predetermine load requirements, generator sizing and cable lengths
- Identify proper location for the temporary generator; minimizing disruption
- Improve safety and security by eliminating exposed cables and clutter

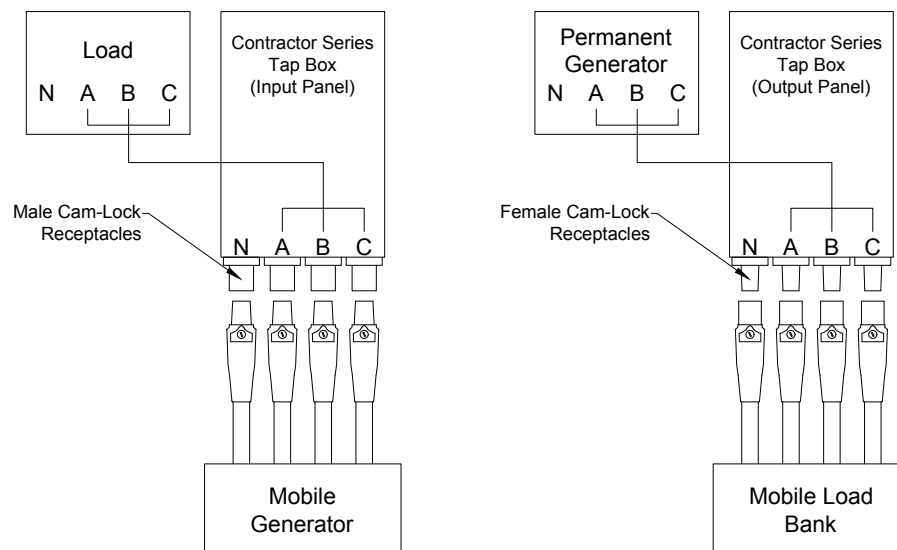
**NEMA 3R
OUTDOOR RATED**

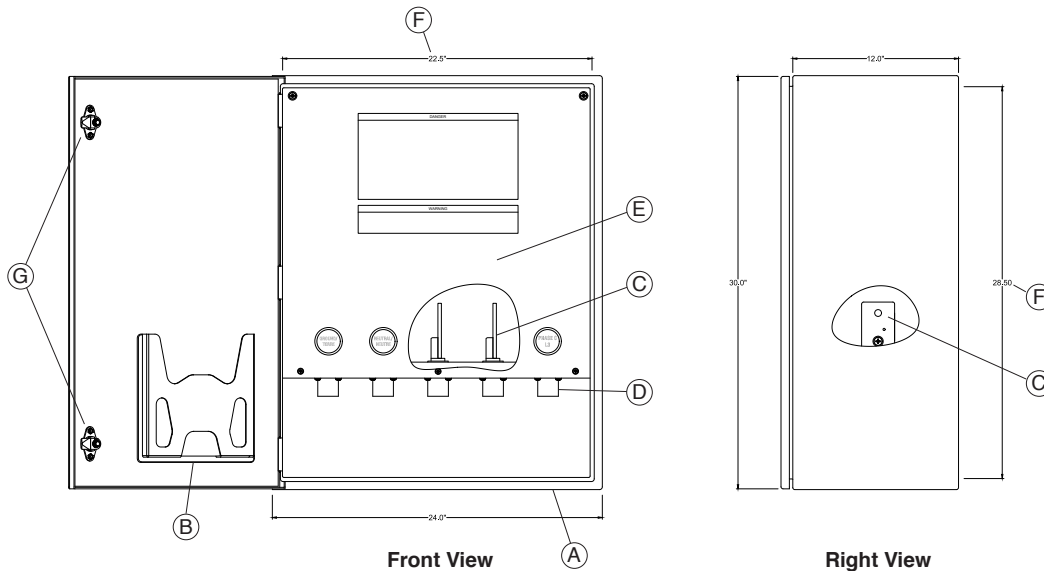


Technical Data

Rating	100 Amps, 3 Phase, 4 Pole, 5 Wire, 208Y/120 VAC, 240/120 VAC, 480Y/277 VAC, or 600/347 VAC
Enclosure	Wall mount, mild steel or stainless steel, weather tight enclosure
Dimensions	30"H x 24"W x 12"D
Incoming Utility Power Connection	Tin plated copper bus bar
Completed Assembly Safety Agency Approved	cULus Listed 1008 Control # 47HY Product ID: Enclosed Power Inlet cULus Listed 1773 Control # XCKT Product ID: Enclosed Power Outlet
Short Circuit Rating	35,000kA

Typical One Line Diagram (Input & Output Panels)





Enclosure Specifications

Type	Height	Width	Depth	Material	Color/Finish	Unit Weight	Shipping Weight
NEMA 3R	30"	24"	12"	Mild Steel	ANSI 61 Gray	80 lbs.	130 lbs.
				Stainless Steel	Clear Brushed Finish	80 lbs.	130 lbs.

CABLE CONNECTORS FIELD ASSEMBLED KIT (Not Included)

Lug Type	Available Cable Sizes	Kit Includes
Mechanical Lug	6 STR to 600 Kcmil	(5) Lugs & Hardware
Compression Lug	250 Kcmil to 600 Kcmil	(5) Lugs & Hardware

Standard Components

A	Trapped Cable Door with gravity plate to cover openings
B	Literature Holder ! Read and follow the component manufacturer's instructions and warnings provided
C	(5X) Copper Bus Bar, Tin Plated per bus bar mounting holes 0.50" dia.
D	Series 16, 400 Amp, 600 VAC, Single Pole Cam-Lock Receptacle
E	Removable Panel Cover
F	Mounting Hole Pattern – (4X) 0.50" dia.
G	Quarter Turn Twist Lock Handle (Non-Locking)

Ordering Information TBQCCM01-AWMS480

TBQCC		CAM-LOCK TYPE		01		ENCLOSURE TYPE		VOLTAGE		Voltage	Ground	Neutral	L1	L2	L3	# of Rows
SERIES		M	Male	01	100 Amp	AWMS	A WALL MOUNT MILD STEEL	208	208Y/120V							
TBQCC	CONTRACTOR	F	Female			AWSS	A WALL MOUNT STAINLESS STEEL	240	240/120V	208Y/120	GRN	WHT	BLK	RED	BLU	x1 Row
								480	480Y/277V	240/120	GRN	WHT	BLK	RED	BLU	x1 Row
								600	600Y/347V	480Y/277	GRN	WHT	BRN	ORG	YEL	x1 Row
										600/347	GRN	WHT	BLK	RED	BLU	x1 Row

POWERTRON® Tap Box Warranty and Terms and Conditions of Sale are available upon request or at www.powertronsolutions.com