

Are you emergency power ready?

The Powertron® Tap Box makes your facility “emergency power ready,” avoiding the clumsy, costly and time consuming process of connecting temporary power. The installation of a Powertron® Tap Box allows you to:



- Establish a quick connection during power outages and load banking
- Predetermine load requirements, generator sizing and cable lengths
- Identify proper location for the temporary generator; minimizing disruption
- Improve safety and security by eliminating exposed cables and clutter

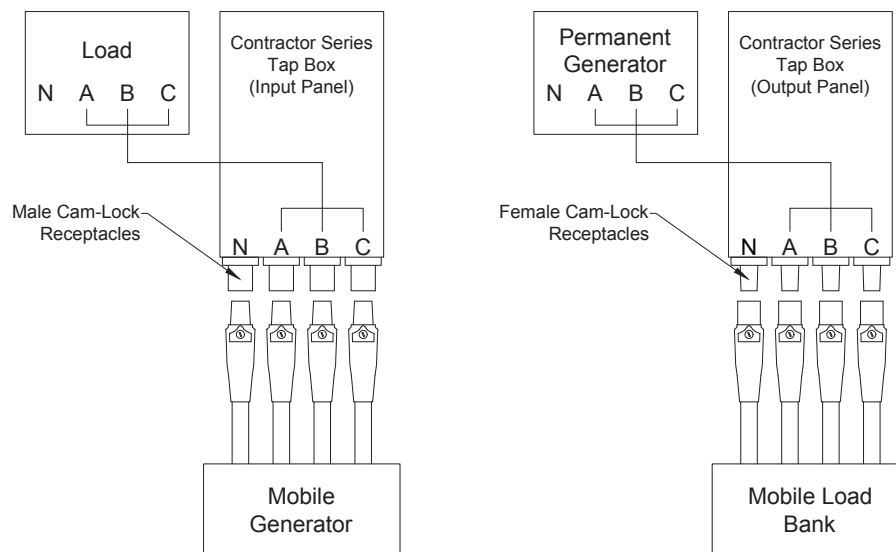
**NEMA 3R
OUTDOOR RATED**

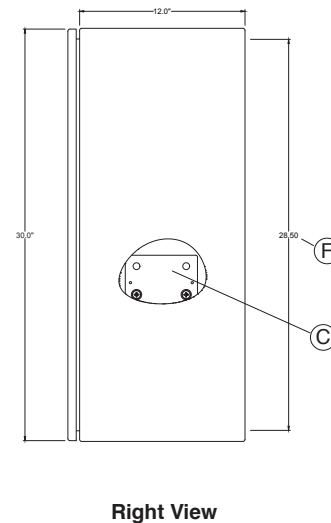
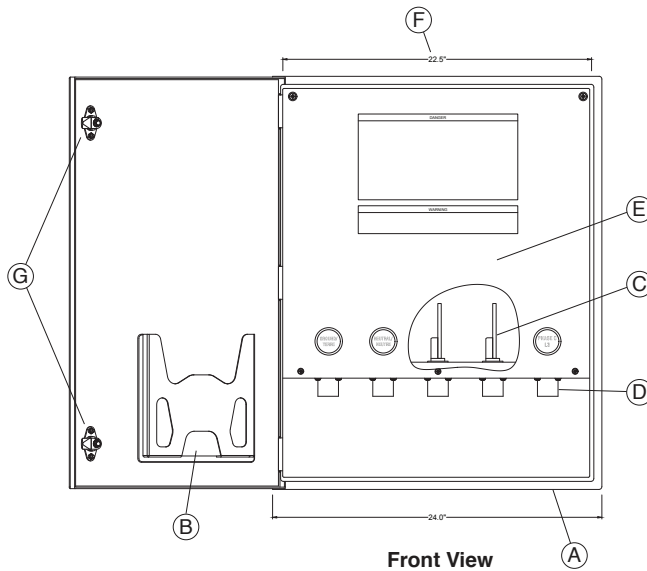


Technical Data

Rating	600 Amps, 3 Phase, 4 Pole, 5 Wire, 208Y/120 VAC, 240/120 VAC, 480Y/277 VAC, or 600/347 VAC
Enclosure	Wall mount, mild steel or stainless steel, weather tight enclosure
Dimensions	30"H x 24"W x 12"D
Incoming Utility Power Connection	Tin plated copper bus bar
Completed Assembly Safety Agency Approved	cULus Listed 1008 Control # 47HY Product ID: Enclosed Power Inlet cULus Listed 1773 Control # XCKT Product ID: Enclosed Power Outlet
Short Circuit Rating	35,000kA

Typical One Line Diagram (Input & Output Panels)





Enclosure Specifications

Type	Height	Width	Depth	Material	Color/Finish	Unit Weight	Shipping Weight
NEMA 3R	30"	24"	12"	Mild Steel	ANSI 61 Gray	85 lbs.	135 lbs.
				Stainless Steel	Clear Brushed Finish	85 lbs.	135 lbs.

CABLE CONNECTORS FIELD ASSEMBLED KIT (Not Included)

Lug Type	Available Cable Sizes	Kit Includes
Mechanical Lug	6 STR to 600 Kcmil	(10) Lugs & Hardware
Compression Lug	250 Kcmil to 600 Kcmil	(10) Lugs & Hardware

Standard Components

A	Trapped Cable Door with gravity plate to cover openings
B	Literature Holder ! Read and follow the component manufacturer's instructions and warnings provided
C	(5X) Copper Bus Bar, Tin Plated per bus bar mounting holes 0.50" dia.
D	Series 16, 400 Amp, 600 VAC, Single Pole Cam-Lock Receptacle
E	Removable Panel Cover
F	Mounting Hole Pattern – (4X) 0.50" dia.
G	Quarter Turn Twist Lock Handle (Non-Locking)

Ordering Information TBQCCM06-AWMS480

TBQCC	06	-	AWMS	208	208Y/120V
SERIES	CAM-LOCK TYPE	AMPERAGE	ENCLOSURE TYPE	VOLTAGE	
TBQCC CONTRACTOR	M Male F Female	06 600 Amp	AWMS A WALL MOUNT MILD STEEL AWSS A WALL MOUNT STAINLESS STEEL	240	240/120V
				480	480Y/277V
				600	600Y/347V

Voltage	Ground	Neutral	L1	L2	L3	# of Rows
208Y/120	GRN	WHT	BLK	RED	BLU	x2 Row
240/120	GRN	WHT	BLK	RED	BLU	x2 Row
480Y/277	GRN	WHT	BRN	ORG	YEL	x2 Row
600/347	GRN	WHT	BLK	RED	BLU	x2 Row

POWERTRON® Tap Box Warranty and Terms and Conditions of Sale are available upon request or at www.powertronsolutions.com