

Ronk's 200-amp meter socket circuit breaker combo (MSB) units are designed for overhead or underground installation. With lightweight, easy and simple installation, these units are suitable for use as service equipment (SUSE), with NEMA 3R aluminum enclosure, and available in 4 jaw horn, 4 jaw lever, and 5 jaw lever bypass options.

FEATURES

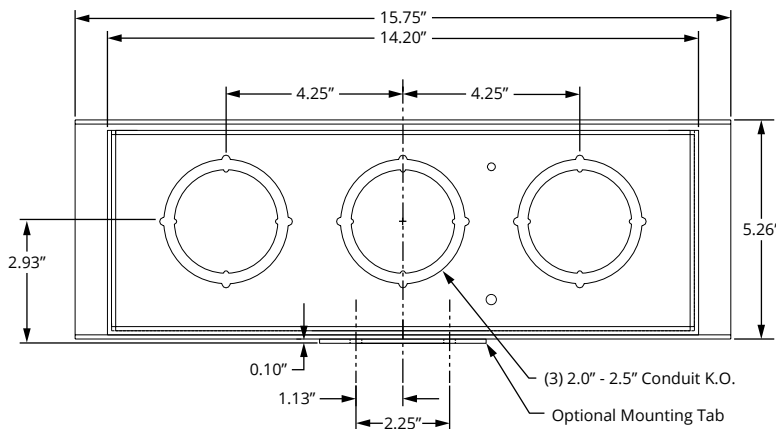
- NEMA 3R – lightweight and corrosion resistant with aluminum enclosure
- Factory breaker terminal load lugs with 3-hole load lug options
- Separate cover on meter socket section – built to meet the NEC code section 230.62
- Manufactured in the USA



DIMENSIONS OF KNOCKOUTS

(in inches)

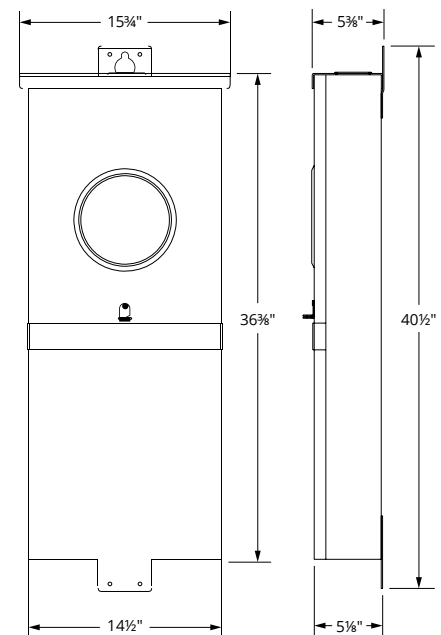
Figure 1, MSB200H Overhead



DIMENSIONS OF NEMA 3R ENCLOSURE

(in inches)

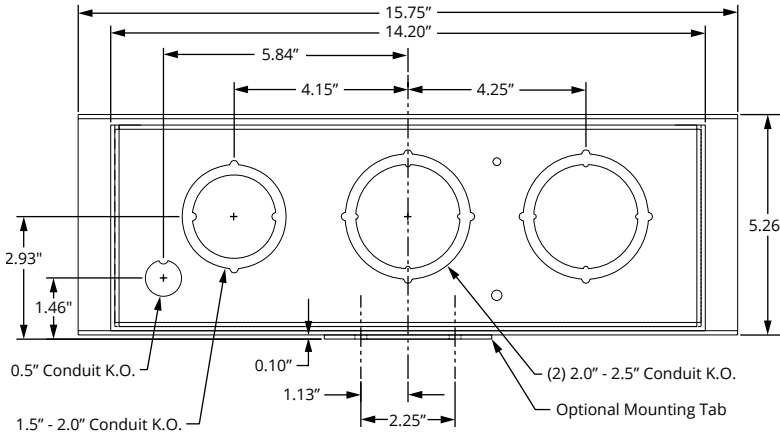
Figure 2, MSB200H Overhead



DIMENSIONS OF KNOCKOUTS

(in inches)

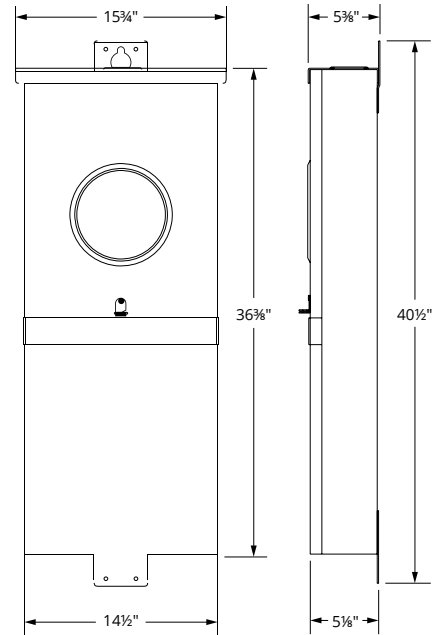
Figure 3, MSB200L Overhead



DIMENSIONS OF NEMA 3R ENCLOSURE

(in inches)

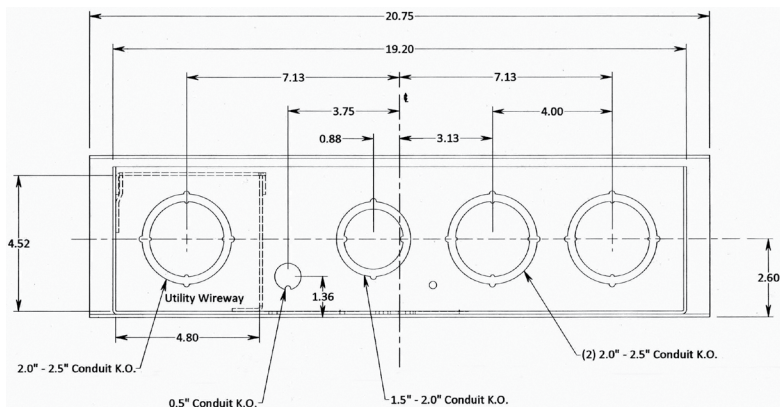
Figure 4, MSB200L Overhead



DIMENSIONS OF KNOCKOUTS

(in inches)

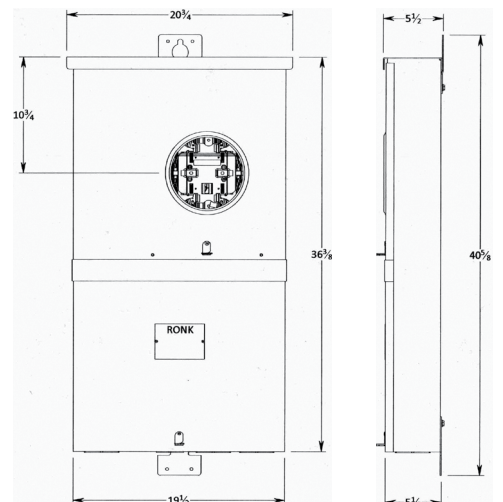
Figure 5, MSB200L & MSB200H Underground



DIMENSIONS OF NEMA 3R ENCLOSURE

(in inches)

Figure 6, MSB200L & MSB200H Underground



CIRCUIT BREAKER 200A SPECIFICATIONS

MSB200						
PART NUMBER	AMPERAGE RATING	BREAKER	BYPASS TYPE	LOAD LUG	KNOCKOUT PATTERN	FEED TYPE
MSB200HA	200	25k	Horn Bypass	3-Hole Load Lug	(1) 1.5-2", (2) 2-2.5", (1) 0.5"	Overhead
MSB200HA-UG	200	25k	Horn Bypass	3-Hole Load Lug	(1) 1.5-2", (2) 2-2.5", (1) 0.5"	Underground
MSB200HF	200	25k	Horn Bypass	Factory Breaker Terminal Load Lug	(1) 1.5-2", (2) 2-2.5", (1) 0.5"	Overhead
MSB200HF-UG	200	25k	Horn Bypass	Factory Breaker Terminal Load Lug	(1) 1.5-2", (2) 2-2.5", (1) 0.5"	Underground
MSB200HB	200	25k	Horn Bypass	3-Hole Load Lug	(3) 2-2.5"	Overhead
MSB200LC	200	25k	4 Jaw Lever Bypass	3-Hole Load Lug	(1) 1.5-2", (2) 2-2.5", (1) 0.5"	Overhead
MSB200LC-UG	200	25k	4 Jaw Lever Bypass	3-Hole Load Lug	(1) 1.5-2", (2) 2-2.5", (1) 0.5"	Underground
MSB200LD	200	25k	5 Jaw Lever Bypass	Factory Breaker Terminal Load Lug	(1) 1.5-2", (2) 2-2.5", (1) 0.5"	Overhead
MSB200LD-UG	200	25k	5 Jaw Lever Bypass	Factory Breaker Terminal Load Lug	(1) 1.5-2", (2) 2-2.5", (1) 0.5"	Underground
MSB200LE	200	25k	5 Jaw Lever Bypass	3-Hole Load Lug	(1) 1.5-2", (2) 2-2.5", (1) 0.5"	Overhead
MSB200LE-UG	200	25k	5 Jaw Lever Bypass	3-Hole Load Lug	(1) 1.5-2", (2) 2-2.5", (1) 0.5"	Underground
MSB200LG	200	25k	4 Jaw Lever Bypass	Factory Breaker Terminal Load Lug	(1) 1.5-2", (2) 2-2.5", (1) 0.5"	Overhead
MSB200LG-UG	200	25k	4 Jaw Lever Bypass	Factory Breaker Terminal Load Lug	(1) 1.5-2", (2) 2-2.5", (1) 0.5"	Underground

* Overhead Feed Enclosure comes with Hub Hole

* For CECHA Territory, add "1" to the item code (Ex: MSB200HA1 or MSB200HA1-UG); Horn Bypass approved only

* For MEG Utility Territory, add "x4" to item code (Ex: MSB200Lx4 (x= C, D, E, G); Lever Bypass approved only

