

RONK's 320-amp meter socket circuit breaker combo (MSB) units are designed for underground installation. With lightweight, easy and simple installation, these units are suitable for use as service equipment (SUSE), with NEMA 3R aluminum enclosure, and available in 4 and 5 jaw lever bypass options.

FEATURES

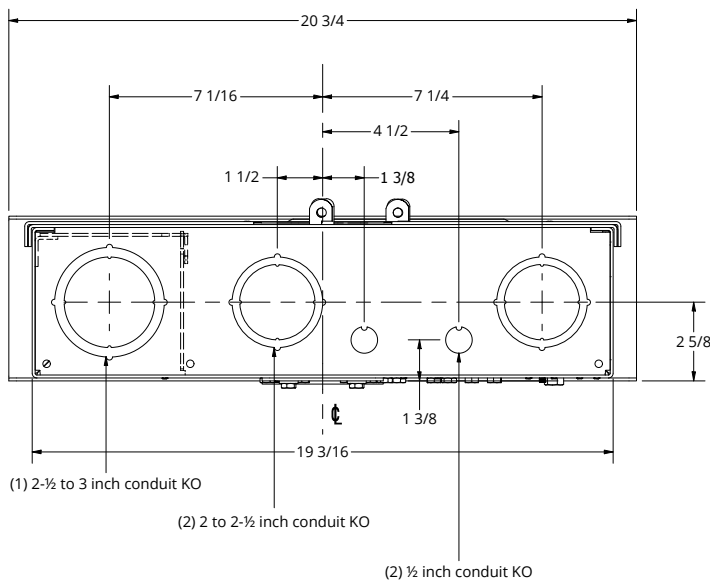
- NEMA 3R – lightweight and corrosion resistant with aluminum enclosure
- Factory breaker terminal load lugs
- Separate cover on meter socket section – built to meet the NEC code section 230.62
- Manufactured in the USA



DIMENSIONS OF KNOCKOUTS

(in inches)

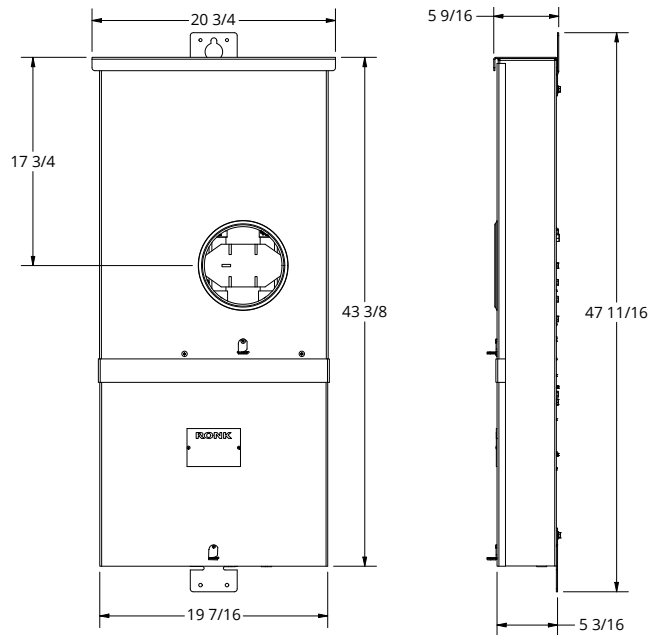
Figure 1



DIMENSIONS OF NEMA 3R ENCLOSURE

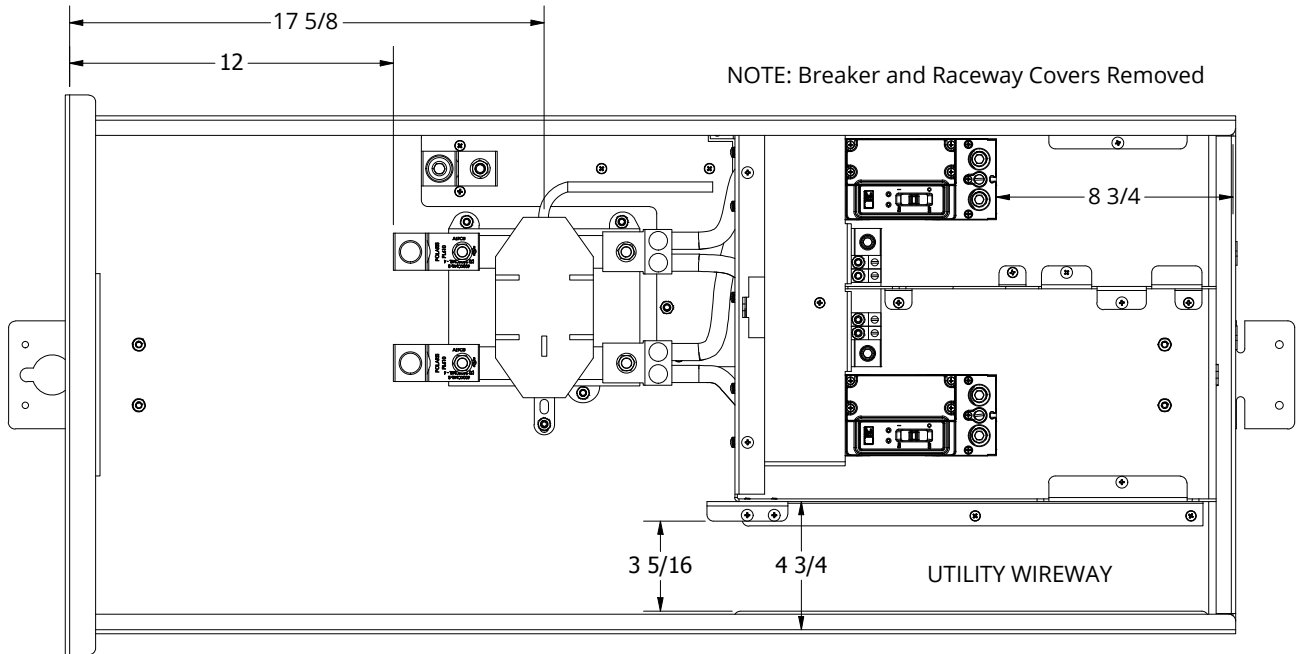
(in inches)

Figure 2



INTERIOR VIEW (in inches)

Figure 3



CIRCUIT BREAKER 320A SPECIFICATIONS

MSB320						
PART NUMBER	AMPERAGE RATING	BREAKER	BYPASS TYPE	LOAD LUG	KNOCKOUT PATTERN	FEED TYPE
MSB320LC-UG	(2) 200	25k	Talon - 4-Jaw Lever-Bypass Meter Socket	Factory Breaker Terminal Load Lugs (1 per Phase)	(2) 2-2.5", (1) 2.5-3"	Underground Feed Enclosure
MSB320LD-UG	(1) 100 & (1) 200	25k	Talon - 4-Jaw Lever-Bypass Meter Socket	Factory Breaker Terminal Load Lugs (1 per Phase)	(2) 2-2.5", (1) 2.5-3"	Underground Feed Enclosure
MSB320LE-UG	(2) 200	25k	Talon - 5-Jaw Lever 5th @ 9 o'clock position	Factory Breaker Terminal Load Lugs (1 per Phase)	(2) 2-2.5", (1) 2.5-3"	Underground Feed Enclosure
MSB320LF-UG	(1) 100 & (1) 200	25k	Talon - 5-Jaw Lever 5th @ 9 o'clock position	Factory Breaker Terminal Load Lugs (1 per Phase)	(2) 2-2.5", (1) 2.5-3"	Underground Feed Enclosure

* The CECHA approved unit is our MSB320LE-UG only; add 1 to this item code (Ex: MSB320LE1-UG)

* MEG Utility approved items, add "x4" to item code; Lever Bypass approved only (Ex: MSB320Lx4 (x= C, D, E, F))

