

# ROTOVERTER® Type C Rotary Phase Converter



For the majority of applications, ROTOVERTER® is sized to the largest 3Ø motor (based on FLA rating) or TOTAL motor HP to be operated at one time. For some applications, however, it is recommended that ROTOVERTER be oversized. For non-motor applications, it is necessary to know FLA rating of equipment and, for electronic power supplies, any ± voltage requirements.

**When ordering, specify KVA Rating and Type**

**Type 2C or 2C-AS**

**Type 4C or 4C-AS**

240 Volt Input

480 Volt Input

240 Volt Output

480 Volt Output

## SECTION I - TYPE 2C & 4C (Consists of a Rotary Transformer & Two Capacitor Panels)

CONVERTER SIZE*	240 V TYPE	480 V TYPE	LARGEST 3Ø MOTOR HP	TOTAL 3Ø MOTORS HP	APPROX. WT. (LBS)	1Ø FLA	
						@240 V	@480 V
4 KVA	2C	4C	2	4	75	18	9
6 KVA	2C	4C	3	6	80	26	13
10 KVA	2C	4C	5	10	115	44	22
15 KVA	2C	4C	7.5	15	135	66	33
20 KVA	2C	4C	10	20	210	88	44
30 KVA	2C	4C	15	30	275	132	66
40 KVA	2C	4C	20	40	370	176	88
50 KVA	2C	4C	25	50	390	220	110
60 KVA	2C	4C	30	60	395	264	132
80 KVA	2C	4C	40	80	490	352	176
100 KVA	2C	4C	50	100	530	440	220
120 KVA		4C**	60	120	625		264

Automatic start units are supplied with a contactor and associated controls that allow the unit to be integrated with equipment that may cycle automatically from control circuitry containing timers, level or pressure sensors, etc. this allows the rotary transformer to come to speed before the load is energized, as required by Article 455-21 of the NEC®.

## SECTION II - TYPE 2C-AS & 4C-AS (Consists of a Rotary Transformer & Two Capacitor Panels)

CONVERTER SIZE*	240 V TYPE	480 V TYPE	LARGEST 3Ø MOTOR HP	TOTAL 3Ø MOTORS HP	APPROX. WT. (LBS)	1Ø FLA	
						@240 V	@480 V
4 KVA	2C-AS	4C-AS	2	4	77	18	9
6 KVA	2C-AS	4C-AS	3	6	82	26	13
10 KVA	2C-AS	4C-AS	5	10	117	44	22
15 KVA	2C-AS	4C-AS	7.5	15	138	66	33
20 KVA	2C-AS	4C-AS	10	20	213	88	44
30 KVA	2C-AS	4C-AS	15	30	278	132	66
40 KVA	2C-AS	4C-AS	20	40	375	176	88
50 KVA	2C-AS	4C-AS	25	50	395	220	110
60 KVA	2C-AS	4C-AS	30	60	400	264	132
80 KVA	2C-AS	4C-AS	40	80	495	352	176
100 KVA	2C-AS	4C-AS	50	100	536	440	220
120 KVA		4C-AS**	60	120	632		264

It may be necessary to furnish auxiliary starting panels for better starting acceleration with high torque or inertia loads. All listed units come with 3-pole power distribution blocks to simplify wiring connections. There are optional configurations available to meet your special needs. Call Ronk toll free at 1-800-221-7665 for information about these optional configurations.

\* ROTOVERTER is designed to operate this load continuously. Additional motors can be connected; however, total horsepower of the load operating at any given time should not exceed this rating.

\*\* Not Listed

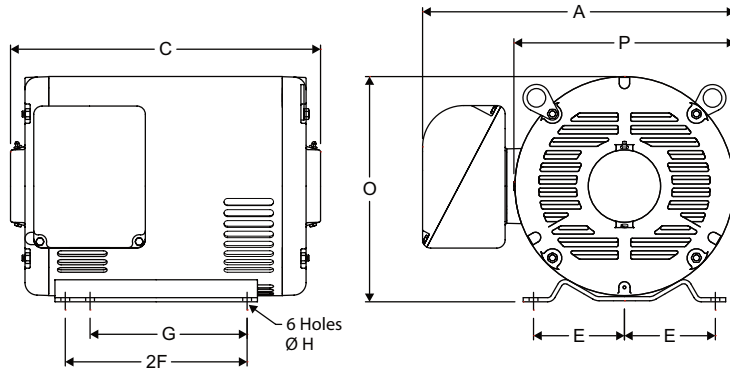


Sales Information: 1-800-221-7665 • Service and Support: 1-217-563-8333

PO Box 160, 106 E State Street, Nokomis, IL 62075-0160 • sales@ronkelectrical.com • www.ronkelectrical.com

# ROTOVERTER® Type C Rotary Phase Converter

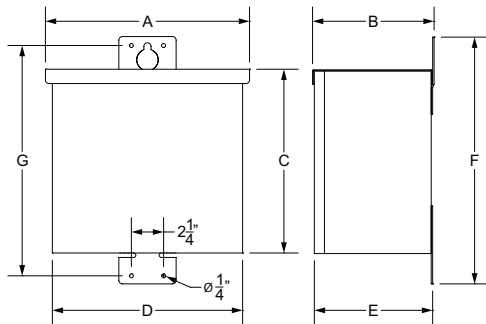
Dimensions of Rotary Base and Panel Control, Open Drip-proof Rotary (in inches)



ROTARY BASE DIMENSIONS										PANEL CONTROL ENCLOSURE							
KVA	Frame	A	C	E	2F	G	H	O	P	2C		4C		2C-AS		4C-AS	
										#1 Panel	#2 Panel	#1 Panel	#2 Panel	#1 Panel	#2 Panel	#1 Panel	#2 Panel
4	184	9-7/8	11-1/2	3-3/4	5-1/2	4-1/2	13/32	8-1/2	7-7/8	600	600	600	600	602	600	602	600
6										600	600	600	600	602	600	602	600
10	213	12-3/4	12-1/2	4-1/4	7	5-1/2	13/32	10-1/8	9-5/8	601	600	600	600	602	600	602	600
15	215	12-3/4	12-1/2	4-1/4	7	5-1/2	13/32	10-1/4	9-5/8	602	601	600	600	603	601	602	600
20	254	15-3/8	15-3/8	5	8-1/4		17/32	12	11-3/4	602	601	601	601	603	601	603	601
30	256	15-3/8	15-3/8	5	10	8-1/4	17/32	12	11-3/4	603	602	601	601	604	602	603	601
40	286	18-7/8	18-3/4	5-1/2	11	9-1/2	17/32	13-5/8	13-1/4	603	602	602	601	604	602	603	601
50										604	603	603	602	604	603	603	602
60										604	603	603	602	604	603	603	602
80	326	20-7/8	21-1/8	6-1/4	12	10-1/2	21/32	15-5/8	15-1/4	605	603	603	602	605	603	604	602
100										605	604	604	602	130	604	604	602
120	364	23-1/2	21-1/8	7	12-1/4	11-1/4	21/32	16-5/8	15-1/4			604	603			605	603

Dimensions of NEMA 3R Enclosures (in inches)

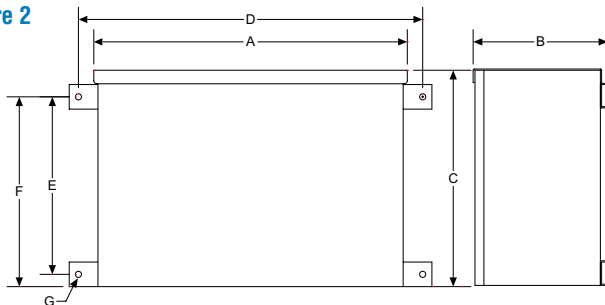
Figure 1



ENCLOSURE	A	B	C	D	E	F	G
600*	9-1/8	5-3/16	10-1/16	8-3/16	5-1/16	6	
601	12	6-1/2	12-13/16	11-1/16	6-3/16	17-7/16	16-1/4
602	14-1/4	8-1/2	12-13/16	13-5/16	8-1/4	17-1/4	16-1/16

\*Mounting tabs not available on 600 enclosure

Figure 2



ENCLOSURE	A	B	C	D	E	F	G
603	17	11	16-1/8	18	10	13	1/2
604	25-1/2	10-15/16	17-5/8	28	14-7/8	15-7/8	1/2
605	25-1/2	11-15/16	20-1/8	28	17	18	1/2
130	28-3/4	16-1/2	26-3/4	32-1/4	17-5/8	22-1/8	9/16

# RONK

Sales Information: 1-800-221-7665 • Service and Support: 1-217-563-8333

PO Box 160, 106 E State Street, Nokomis, IL 62075-0160 • sales@ronkelectrical.com • www.ronkelectrical.com

TS-012\_07-2016