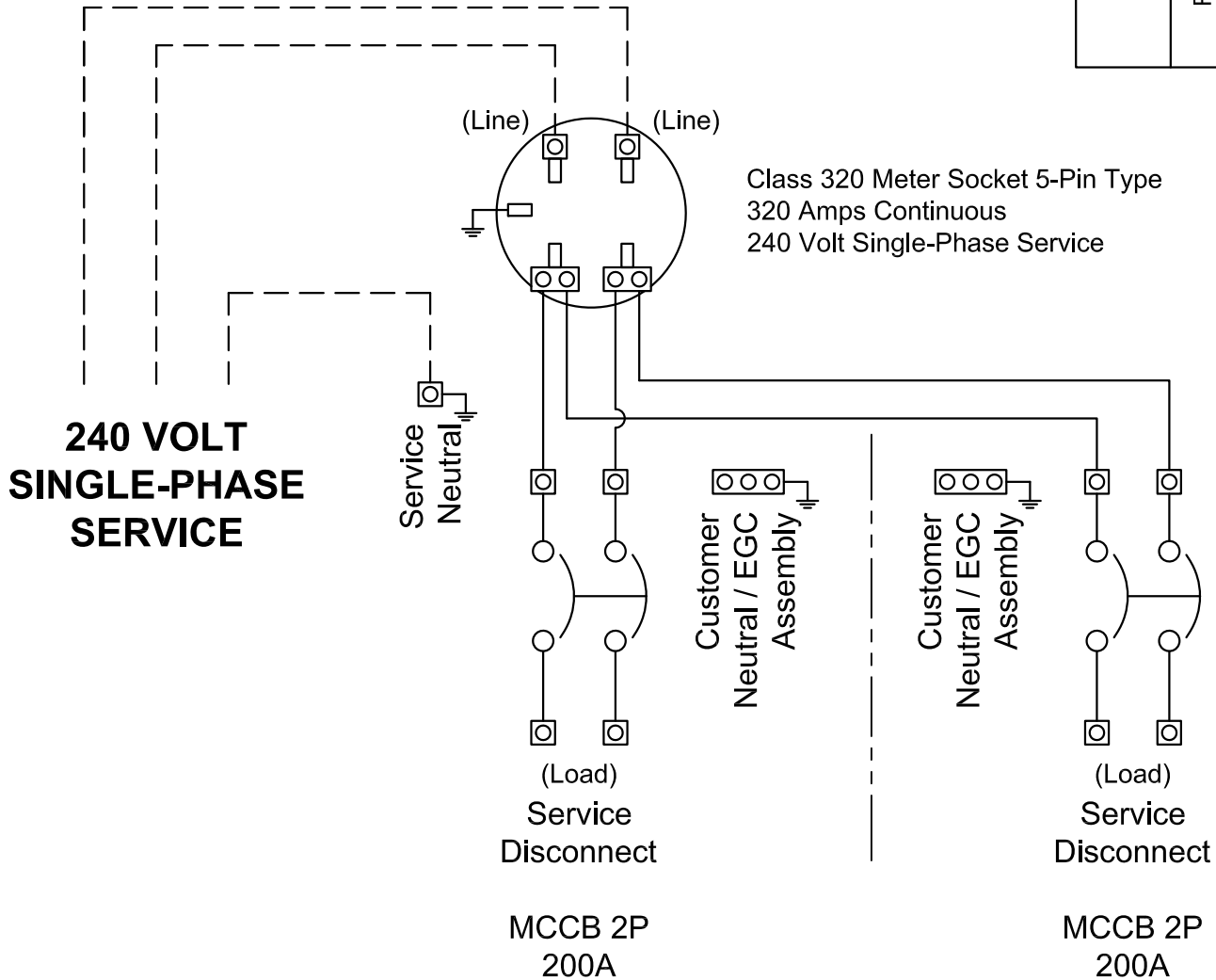


METER-RITE®

Grade-Level Meter Socket with Circuit Breaker Combo Unit
 Catalog Number: **MSB320**
 2x 200 amp Breakers
 TYPE 3R Rainproof Enclosure 240 Vac
 Suitable Only for Use as Service Equipment

Schematic for Build Code MSB320LE-UG		Drawing Number 2-6207	
RONK ELECTRICAL INDUSTRIES, INC. NOKOMIS, ILLINOIS			
Scale	None	Drawn	NCL
		Date	06/28/2022
		Approved	NCL

Short Circuit Current Rating Of This Panelboard Is 25,000 RMS Symmetrical Amperes, 240 VAC Max, But The Rating Is Limited To The Lowest Interrupting Rating Capacity At A Supply Voltage Of Any Breaker Installed. The Replacement Circuit Breakers Must Be Of The Same Type And Interrupt Ratings.



USE COPPER OR ALUMINUM WIRE

SERVICE		CUSTOMER		
LINE	NEUTRAL	NEUTRAL	EQUIPMENT GROUND	LOAD
(2) 250 MCM - 1/0 OR (1) 600 MCM - #4 (1-HOLE LUG)	(2) 250 MCM - 1/0 OR (1) 600 MCM - #4 (1-HOLE LUG)	250 MCM - #6 (1-HOLE LUG)	2/0 - #14 (2x 1-HOLE LUG) 50 IN-LB	300 MCM - #3 See MCCB For Torque

TIGHTENING TORQUE	
SOCKET SIZE (INCH)	TORQUE (IN-LB)
1/8	45
5/32	100
3/16	120
7/32	150
1/4	200
5/16	250
3/8	375
1/2	500
9/16	600

Revision Description

Rev	CN	Date	BY