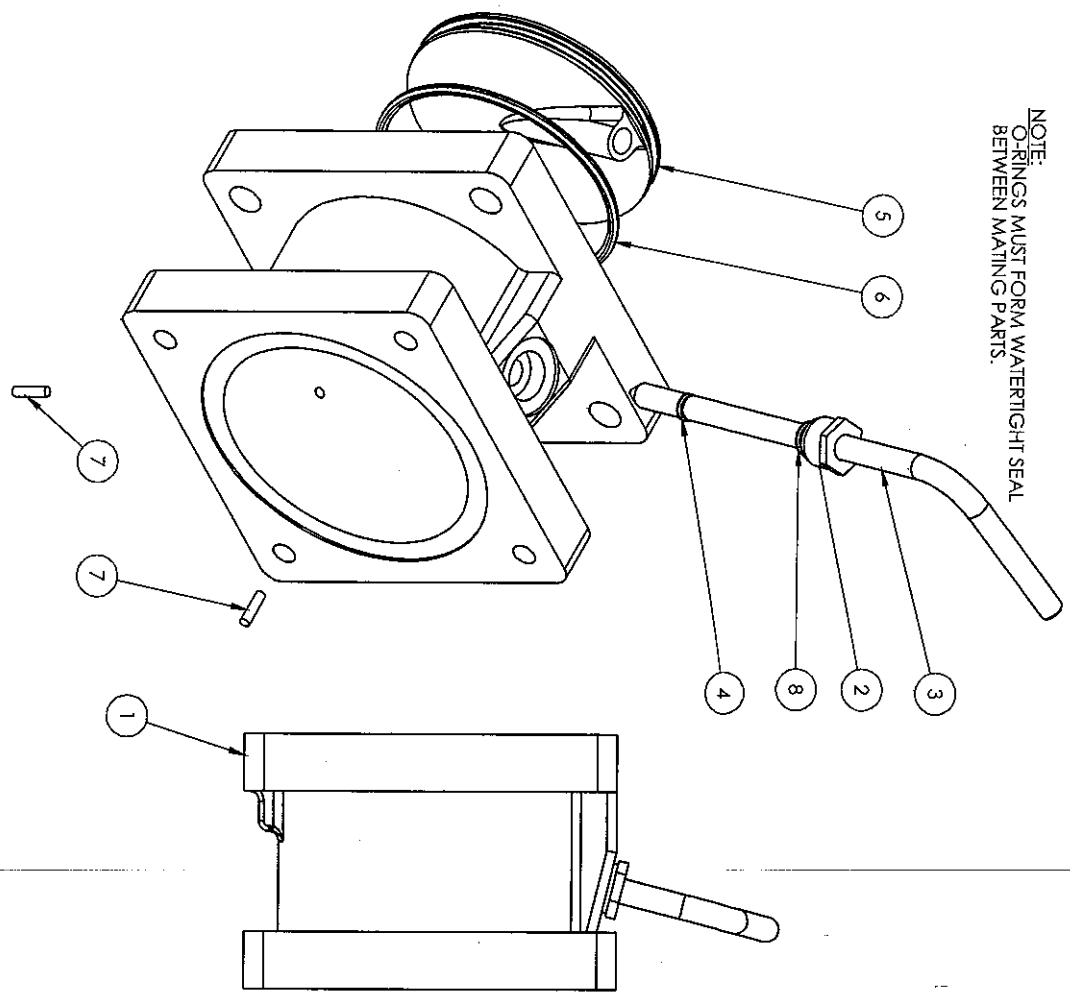
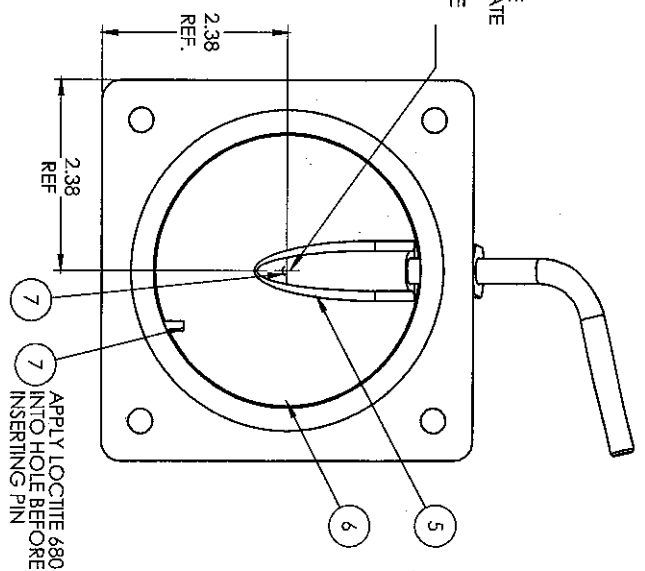


NOTE:
O-RINGS MUST FORM WATER-TIGHT SEAL
BETWEEN MATING PARTS.



| ITEM NO. | PART NUMBER | DESCRIPTION | QTY. |
|----------|--------------|-------------------------|------|
| 1 | 635.36086.00 | BODY,ISOL,VLV | 1 |
| 2 | 635.82638.00 | FIG,GLND,VLV,ISOL | 1 |
| 3 | 635.82641.00 | HDL,VLV,ISOL | 1 |
| 4 | 015.00011.00 | ORNG,5.28mm IDX1.78mm | 1 |
| 5 | 615.36087.00 | GATE,VLV,ISOL,BR | 1 |
| 6 | 015.00006.00 | ORNG,78.97mm IDX 3.53mm | 1 |
| 7 | 090-00006-00 | PIN,DOWL,1/8DIAX1/2 | 2 |
| 8 | 015.00007.00 | ORNG,7.65mm IDX1.78mm | 1 |

USE POSITIONING FIXTURE
TO LOCATE AND DRILL
.124 DIA. HOLE THRU ITEM 5
AND ITEM 3.
NOTE POSITION OF HANDLE
(ITEM 3) IN RELATION TO GATE
(ITEM 5).
APPLY LOCTITE 680 TO HOLE
AND INSERT PIN (ITEM 7)



| | | | |
|-----------------------|---|----|------|
| REV | DESCRIPTION | BY | DATE |
| 1 | CHANGED O-RING DATA TO MATING AND VALVE BODY TO LOCATE AND DRILL .124 DIA. HOLE THRU ITEM 5 AND ITEM 3. | | |
| PART NO. 635.36086.00 | | | |
| DRAWN GJM 1/27/2012 | | | |
| CHECKED BNG ATR | | | |
| TITLE VLV,ISOL,BR | | | |
| SCALE: 1:1.5 | | | |
| SHEET: 1 OF 1 | | | |
| 605.82669.00 | | | |