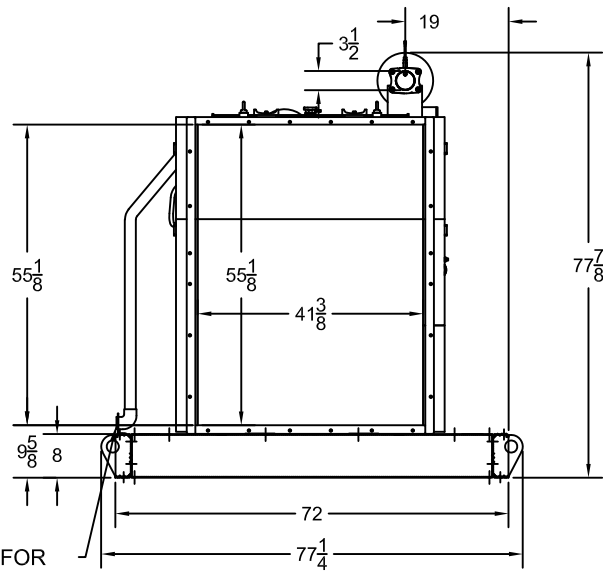
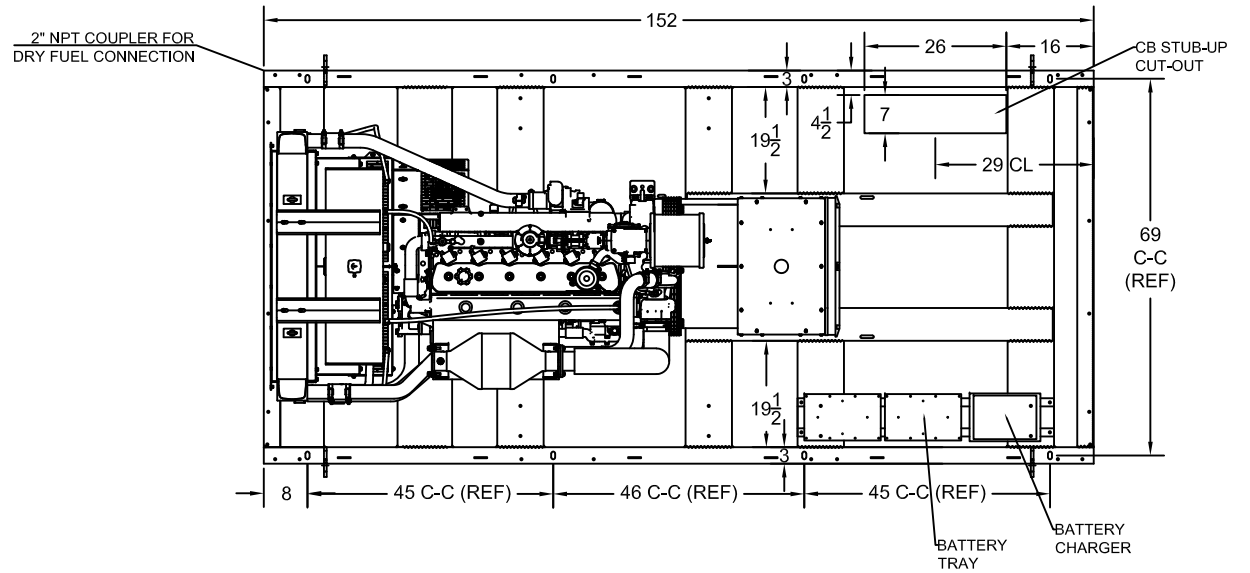
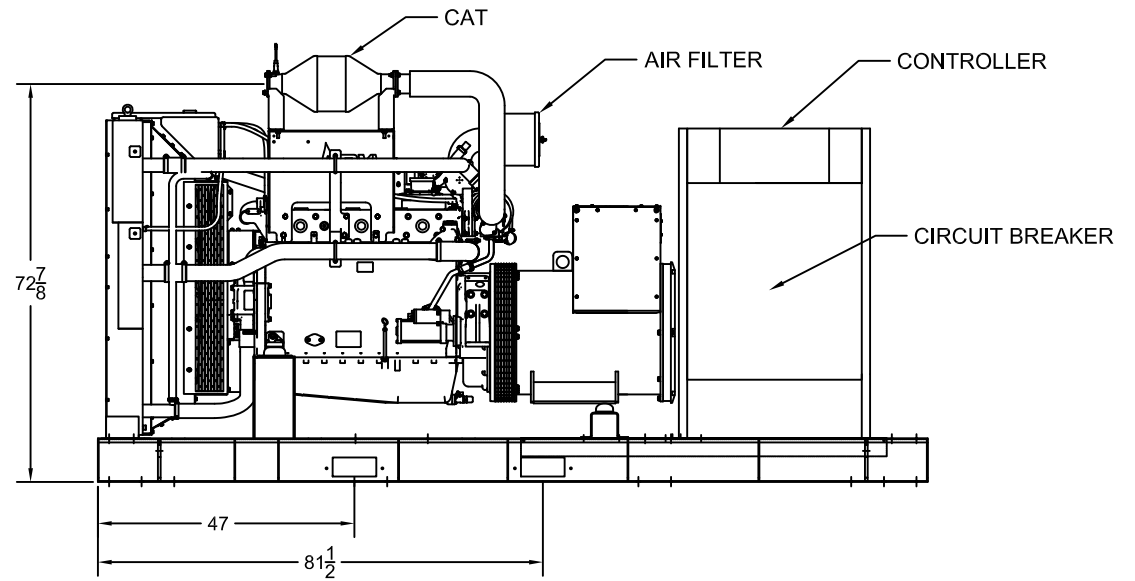


# SP-2000 OPEN DIMENSIONAL OVERVIEW

## TOP VIEW



## RADIATOR VIEW



## SIDE VIEW