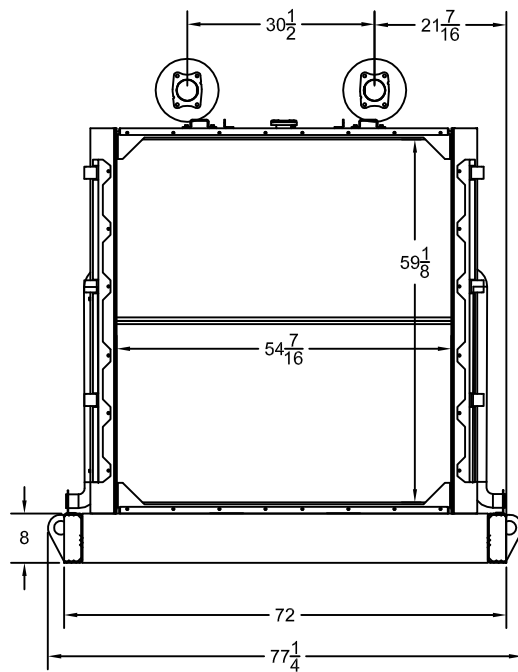
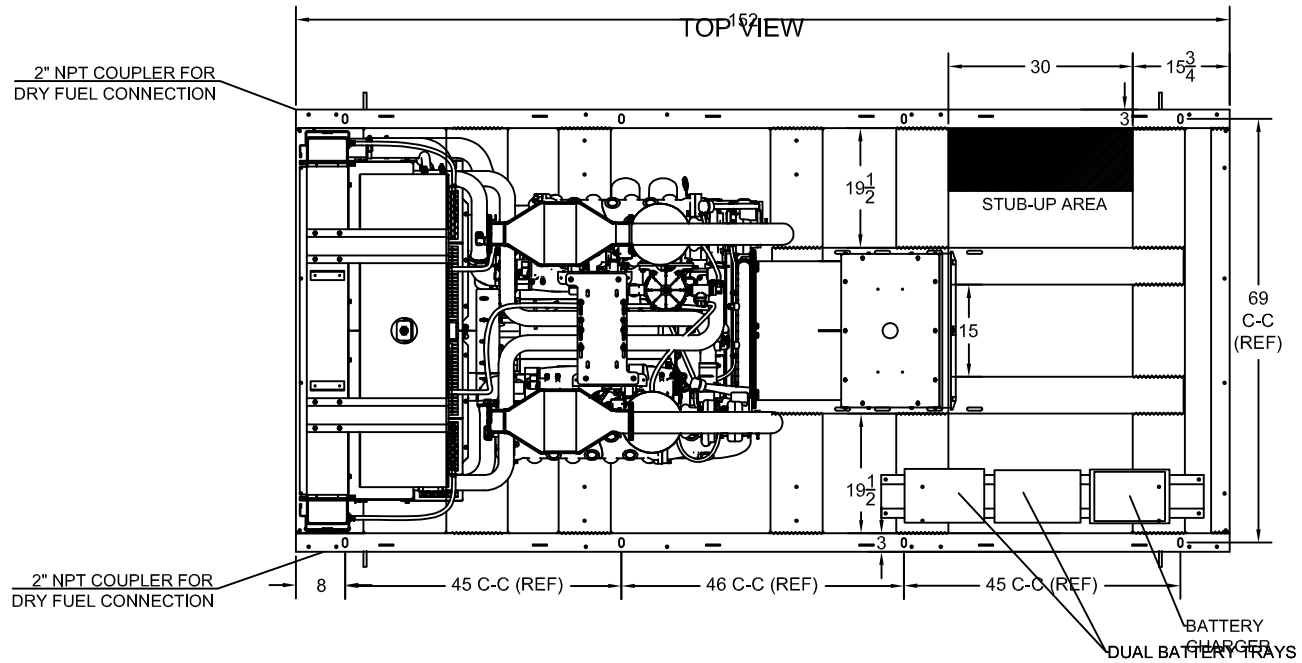
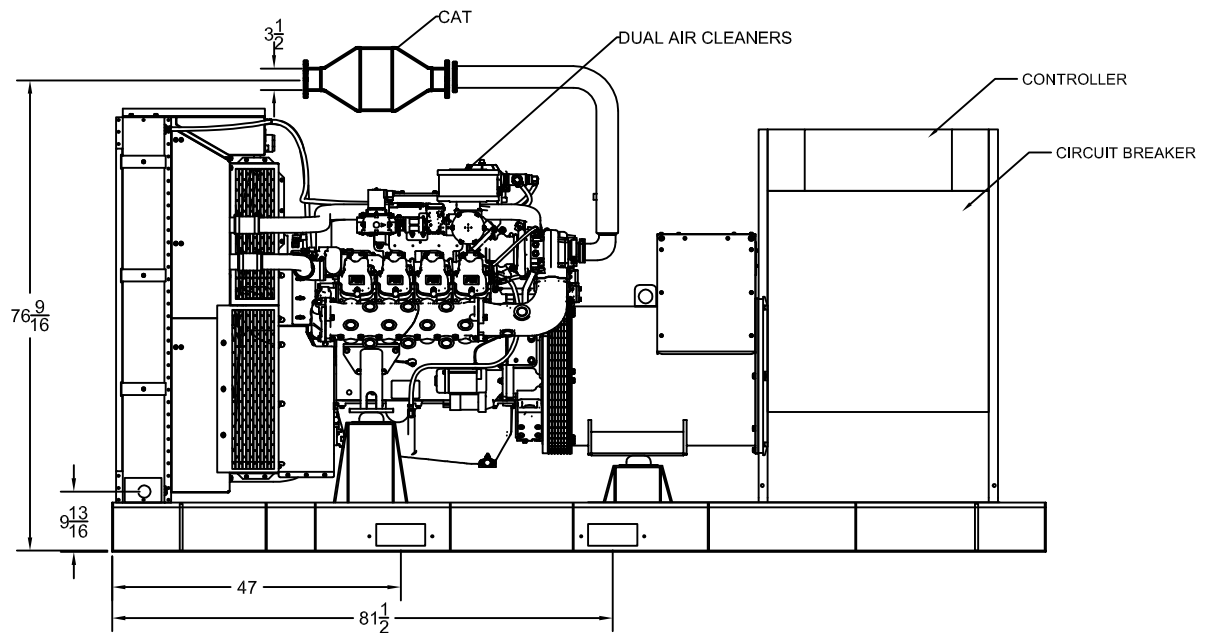


# SP-2650 OPEN DIMENSIONAL OVERVIEW



RADIATOR VIEW



SIDE VIEW