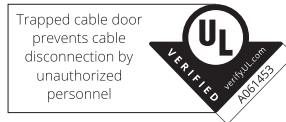


## Are you emergency power ready?

The Powertron® Tap Box makes your facility “emergency power ready,” avoiding the clumsy, costly and time consuming process of connecting temporary power. The installation of a Powertron® Tap Box allows you to:



- Establish a quick connection during power outages and load banking
- Predetermine load requirements, generator sizing and cable lengths
- Identify proper location for the temporary generator; minimizing disruption
- Improve safety and security by eliminating exposed cables and clutter

**NEMA 3R  
OUTDOOR RATED**

### Technical Data

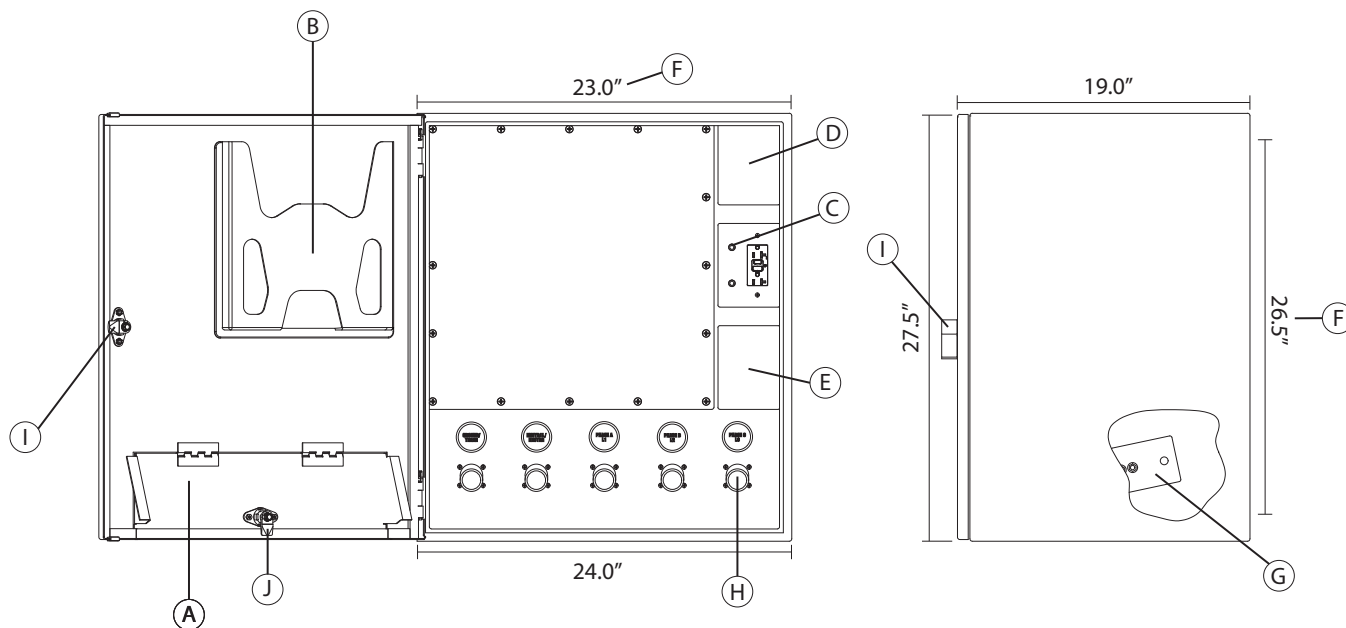
Rating	200 Amps, 3 Phase, 4 Pole, 5 Wire, 208Y/120 VAC, 240/120 VAC, 480Y/277 VAC, or 600/347 VAC
Enclosure	Wall mount, mild steel or stainless steel, weather tight enclosure by Hoffman®
Dimensions	27.5"H x 24"W x 19"D
Incoming Utility Power Connection	Tin plated copper bus bar
Completed Assembly Safety Agency Approved	cULus Listed 1008   Control # 47HY   Product ID: Enclosed Power Inlet cULus Listed 1773   Control # XCKT   Product ID: Enclosed Power Outlet
UL Verified, A061453	Trapped cable door prevents cable disconnection by unauthorized personnel.

### Key Features and Benefits

Security and Safety	Powertron's® Trapped Cable Door upholds a UL Verified Mark which was tested to ensure added security and safety while the generator cables are connected to the tap box. Additional features such as the KIRK® Key field assembled kit and lockable door also provides greater security and safety.
Cold Weather Startup	GFCI receptacle allows power to be provided safely to a generator block heater and battery charger for cold weather operation.
Automatic Startup	During inclement weather conditions or during a load bank test, the Start/Stop terminals enable your mobile generator to standby to automatically restore power to your facility when using an Automatic Transfer Switch.
Backup Power Contingency Plan	Provides your business the ability to have an emergency back power contingency plan into your facility.
Harsh Weather Protection	Engineered and tested to withstand the toughest conditions. Features of the enclosure such as the trapped cable door adds protection during inclement weather conditions.
Uncompromising Quality	Engineered and assembled with the highest quality components from the most respected and leading manufacturers in their industry.

UL Listed & Registered Quality Components from





**Enclosure Specifications**

Type	Height	Width	Depth	Material	Color/Finish	Unit Weight	Shipping Weight
NEMA 3R	27.5"	24"	19"	Mild Steel	Powder Coat Light Ivory	105	155
				Stainless Steel	Clear Brushed Finish	90	140

**KIRK® KEY TRAPPED DOOR LOCK**

FIELD ASSEMBLED KIT (Not Included)

Part Number	Description	Kit Includes
TBQC-KIRKE4616-001	Single Barrell Opening	Mounting Bracket, Hardware & Instuctions
TBQC-KIRKE4616-002	Double Barrell Opening	Mounting Bracket, Hardware & Instuctions

**PHASE ROTATION MONITOR**



FIELD ASSEMBLED KIT (Not Included)

Part Number	Description	Kit Includes
TBCQ-MONITOR-KT1	For 240V to 600V Tap Boxes Only <i>(208V not available)</i>	Relay Module, Cable Leads & Instructions

**CABLE CONNECTORS**

FIELD ASSEMBLED KIT (Not Included)

Lug Type	Available Cable Sizes	Kit Includes
Mechanical Lug	6 STR to 600 Kcmil	(5) Lugs & Hardware
Compression Lug	250 Kcmil to 600 Kcmil	(5) Lugs & Hardware

**Standard Components**

A	Trapped Cable Door Patented #US D771,580 S UL Verified: A061453
B	Owner's Manual Holder
C	Remote Start/Stop Terminals & GFCI 20 Amp Receptacle
D	For additional accessory plate (see website for accessory options)
E	Cover plate shall only be removed when installing Powertron® Phase Rotation Monitor
F	Mounting Hole Pattern – (4X) 0.50" dia.
G	(5X) Copper Bus Bar, Tin Plated, (1) mounting hole 0.50" dia. <i>(See Mechanical Lug Kit for building wire connection options)</i>
H	Series 16, 400 Amp, 600 VAC, Single Pole Cam-Lock Receptacle
I	Key Lock Handle
J	Quarter Turn Twist Lock Handle (non-locking)

**Ordering Information**

Example TBQCSM02-SWMS480

TBQCS	CAM-LOCK TYPE	02	ENCLOSURE TYPE	VOLTAGE
SERIES		AMPERAGE		
TBQCS STANDARD	M Male F Female	02 200 Amp	SWMS SMALL WALL MOUNT MILD STEEL SWSS SMALL WALL MOUNT STAINLESS STEEL	208 208Y/120V 240 240/120V 480 480Y/277V 600 600Y/347V

Voltage	Ground	Neutral	L1	L2	L3	# of Rows
208Y/120	GRN	WHT	BLK	RED	BLU	x1 Row
240/120	GRN	WHT	BLK	RED	BLU	x1 Row
480Y/277	GRN	WHT	BRN	ORG	YEL	x1 Row
600/347	GRN	WHT	BLK	RED	BLU	x1 Row

POWERTRON® Tap Box Warranty and Terms and Conditions of Sale are available upon request or at [www.powertronsolutions.com](http://www.powertronsolutions.com)