

PHI 3.8-M™ BATTERY



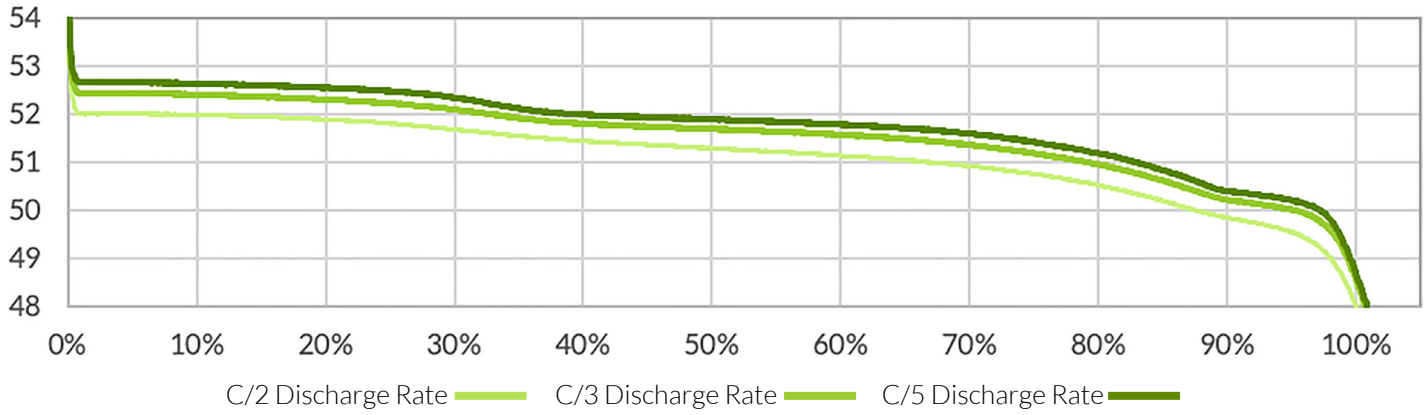
SimpliPhi Power's PHI 3.8-M™ Battery utilizes the safest Lithium Ion chemistry available, Lithium Ferro Phosphate (LFP). No cobalt or explosive hazards that put customers at risk. By eliminating cobalt, the risk of thermal runaway, fire propagation, operating temperature constraints, and toxic coolants are reduced. When combined with our integrated high-performance Battery Management System (BMS), accessible 80A DC breaker On/Off switch and overcurrent protection (OCPD), the PHI 3.8-M Battery delivers safe, highly efficient and cost-effective service over the life of both residential and commercial installations, on or off-grid. Compatible with all industry-standard inverter charge controllers, the PHI 3.8-M Battery supports balance-of-system equipment and optimizes any power generation source - solar, wind, grid, generator - with scalable, on-demand energy storage solutions for critical back-up and daily savings on electricity bills.

PHI 3.8 kWh Module- Metal	24V	48V
SKU	PHI-3.8-24-M	PHI-3.8-48-M
DC Voltages - Nominal	25.6 VDC	51.2 VDC
Amp-Hours	151 Ah	75 Ah
Maximum Rated kWh Capacity	3.87 kWh DC @ 100% DOD 3.10 kWh DC @ 80% DOD	3.87 kWh DC @ 100% DOD 3.10 kWh DC @ 80% DOD
MAX Discharge Rate (10 minutes)	80 Amps DC (2.05 kW DC)	80 Amps DC (4.1 kW DC)
MAX Continuous Discharge Rate	75 Amps DC (1.9 kW DC)	37.5 Amps DC (1.9 kW DC)
MAX Continuous Charge Rate	75 Amps DC (1.9 kW DC)	37.5 Amps DC (1.9 kW DC)
DC Voltage Range ¹	24 VDC to 28 VDC	48 VDC to 56 VDC
Depth of Discharge ¹	up to 100%	
Charging Temperature ¹	32° to 120° F (0° to 49° C)	
Operating Temperature ¹	-4° to 140° F (-20° to 60° C)	
Storage Temperature	6 months: 14° to 77° F (-10° to 25° C) 3 months: -4° to 113° F (-20° to 45° C)	
Self-Discharge Rate	< 1% per month	
Cycle Life	10,000+ cycles (@ 80% DOD)	
RTE Efficiency	96%	
Warranty	10 Years	
Weight	86 lbs. (39.0 kg)	
Dimensions (W x H x D)	13.5 x 14 x 8 in. (15.5" H w/terminals) / 0.88 ft3 (34.3 x 35.6 x 20.3 cm / 0.025 m3)	
Model Number	PHI3.8 24V M	PHI3.8 48V M

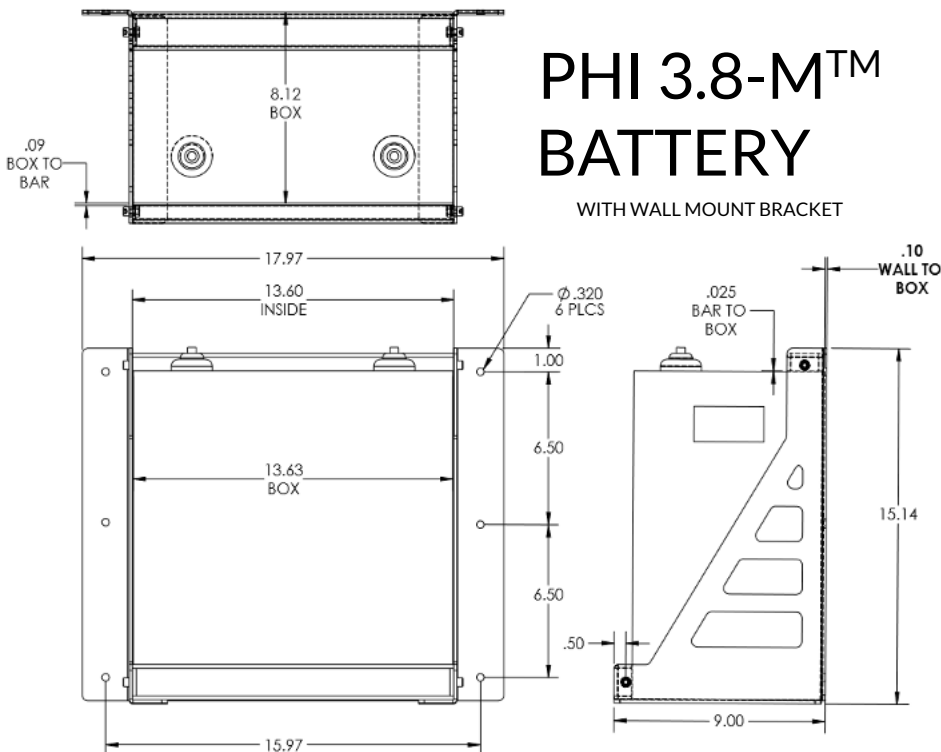
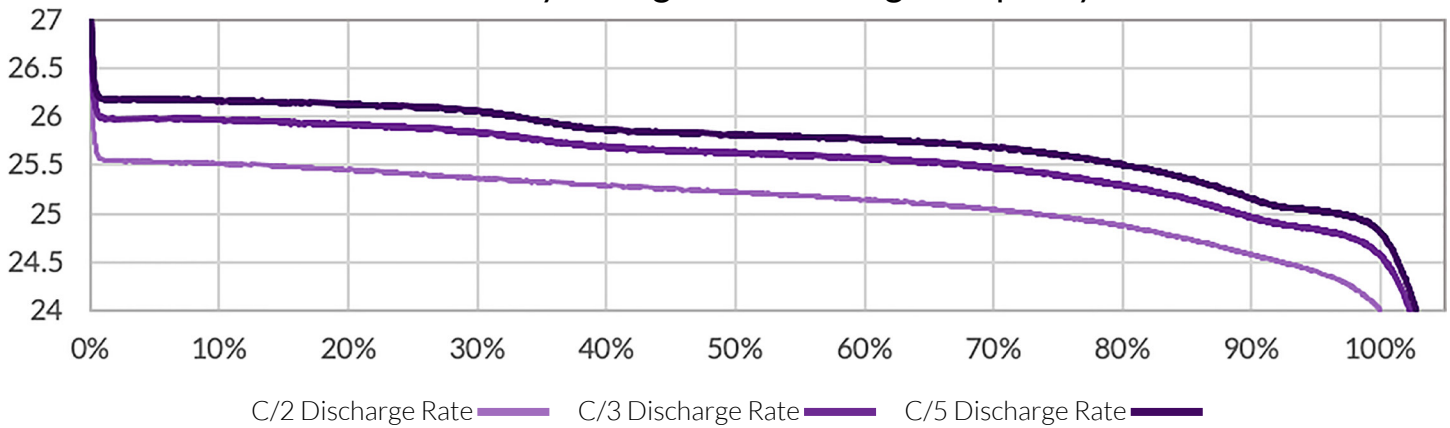
1. Max operating ranges. Refer to Installation Manual for recommended conditions.
 • All specifications listed are typical/nominal and subject to change without notice
 • UN 3480, Lithium ion batteries, 9, II
 • UL, CE, UN/DOT and RoHS compliant components - UL 1973, UL 1642
 • Designed and manufactured in California, USA



48V Battery Voltage VS. Discharged Capacity

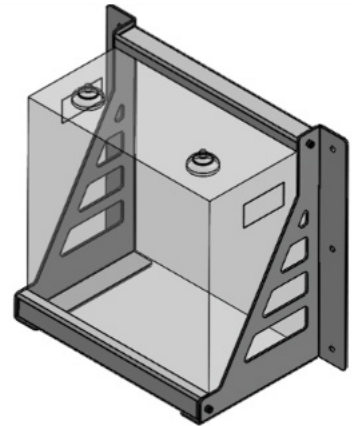


24V Battery Voltage VS. Discharged Capacity



PHI 3.8-M™ BATTERY

WITH WALL MOUNT BRACKET



Terminals	3/8 IN	10 MM
Battery Cables	6 AWG MINIMUM	

Refer to the Integration Guide section of SimpliPhi's [Product Documentation](#) web page for wiring instructions, inverter and/or charge controller specific settings. Must be followed to maintain PHI Warranty.